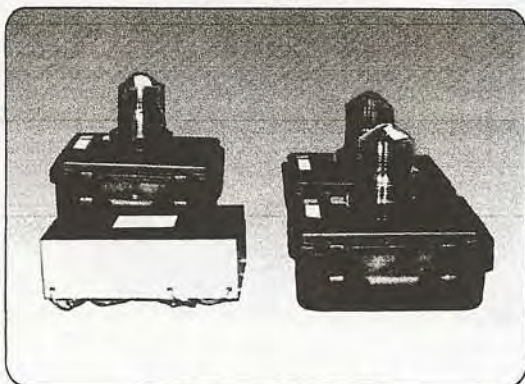
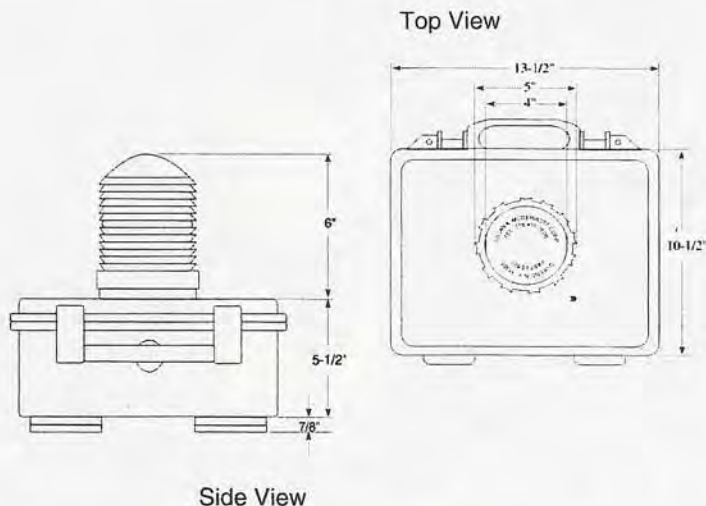


**BARGE LIGHT****BARGE LIGHT KIT**

## BARGE NAVIGATION LIGHTS

**U.S.C.G. ACCEPTED*****SERIES: BGLT***

### The standard unit includes:

- A fully sealed waterproof case (**unit will float if accidentally knocked overboard.**)
- A heavy duty molded handle allowing for easy portability.
- An unbreakable Lexan® lens.
- Sealed rechargeable batteries.
- 50 lb. magnets on bottom for securing to a deck.
- A built-in photoelectric switch for automatic nighttime only operation.
- A very manageable gross weight of 22 pounds.
- An external fully automatic three stage charger.

### Options include:

- Extra long life battery packs.
- Steady port, starboard, stern or flashing amber lights.
- Single or dual heads.

(See pages 10-11 for a full list of all available options).



### BARGE LIGHT KITS

Let us make it easy for you to comply with the complexities of marine lighting regulations. Our barge kits come complete with everything necessary to make your tows comply with U.S.C.G. navigation light requirements for unmaned barges 50 meters or more in length. Each barge light kit consists of three Portable Barge Navigation Lights (described to the left) -- a red port, green starboard, and flashing amber light or steady white stern light depending on your requirements. Although our lights are designed for barges greater than 50 meters in length, of course, these models also are completely appropriate for use on vessels less than this length.

All kits include a 3 station automatic charger with three separate chargers built into one case -- powerful enough to charge all three lights even if one of the chargers becomes inoperable.