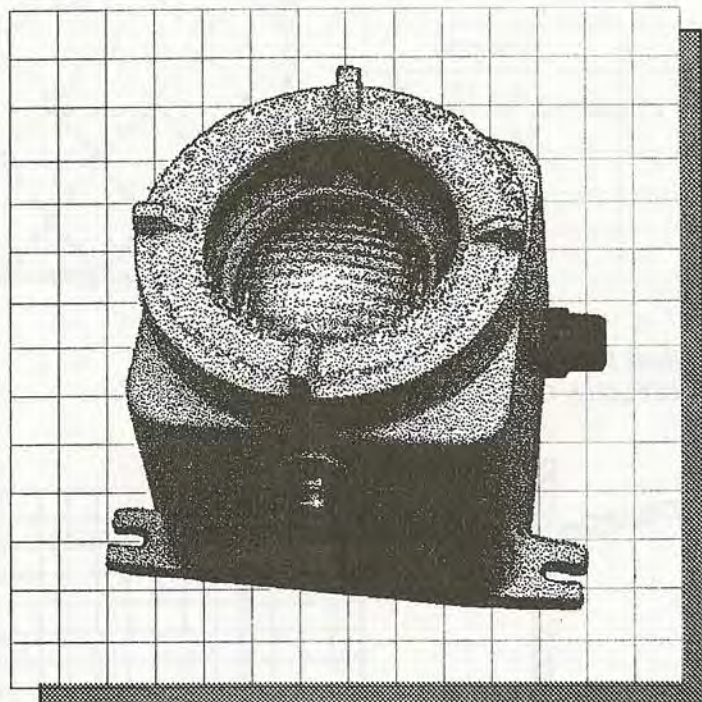


*Roflan***LIFEBEAM®****Type 1616****EXPLOSION PROOF EMERGENCY LIGHT****Especially Designed For:**

- Refineries
- Chemical Factories
- Oil Drilling Rigs
- Off-Shore Drilling



- Built-in Battery Charger
- Non-Magnetic Aluminum Case
- Battery Never Needs Water
- Battery Test Switch
- Automatic Battery Shut-off
- Current Flow Pilot Light
- High Charge Pilot Light
- Corrosion and Rust Resistant
- Waterproof
- UL Listed
- 115 Volt AC

*Automatically Lights  
When Electricity Fails*

**Listed**

Conforms to Underwriters Laboratories Standards for Explosion-Proof Emergency Lighting. UL 1203 and UL Emergency Lighting Standard 924. Class I, Group D, and Class II, Groups F & G, for Hazardous Locations.



- Cargo Nets
- Automobile Unload Nets
- Debarkation Nets
- Whiskey Nets
- Dirt Sling Nets
- Gangway Nets
- Pallet Nets
- Tool Nets
- Manila and Nylon Rope Slings

## PERSONNEL NETS

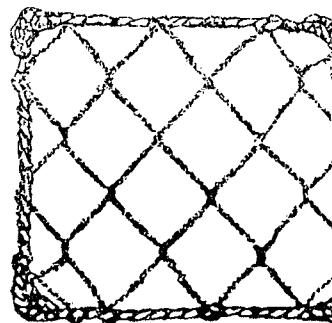
Personnel nets are made of 5/16" diameter polypropylene mesh rope, with a 5/8" diameter polypropylene frame. The net is constructed with 6" diamond pattern mesh. Meets and exceeds OSHA specification #1926.105 for safety nets!

**WARNING:**

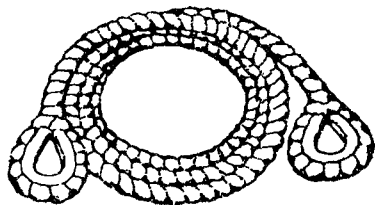
Each net must be completely inspected by a qualified person during installation and daily thereafter. Additional inspections shall be made if impact loading or welding or cutting operations occur on or above nets. Nets which show mildew, wear, damage or deterioration which affect their strength shall be immediately removed from service for complete inspection and repair or disposal.

**STOCK SIZES**

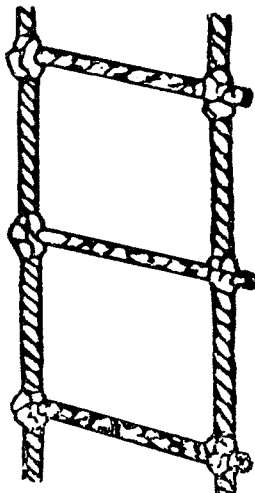
Personnel Nets	Cargo Nets
14' x 40'	10' x 10'
14' x 60'	12' x 12'
10' x 20'	
20' x 20'	
20' x 40'	



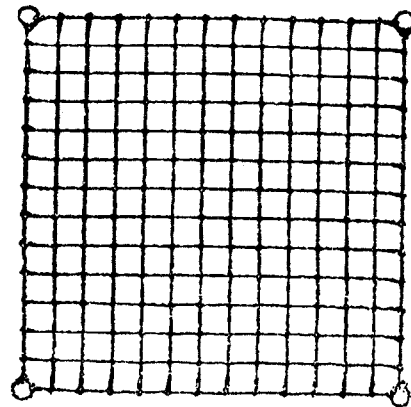
**THESE AND OTHER FINE PRODUCTS CAN BE MADE WITH MANILA, NYLON, OR POLYPROPYLENE ROPE**



**NYLON TOW ROPE**



**ROPE LADDERS MADE TO YOUR SPECIFICATIONS**



**PERSONNEL NET NETS CAN BE MANUFACTURED TO YOUR REQUIREMENTS**

**DO NOT EXCEED WORK LOAD LIMIT OR 20% OF THE PRODUCT'S BREAK STRENGTH.**