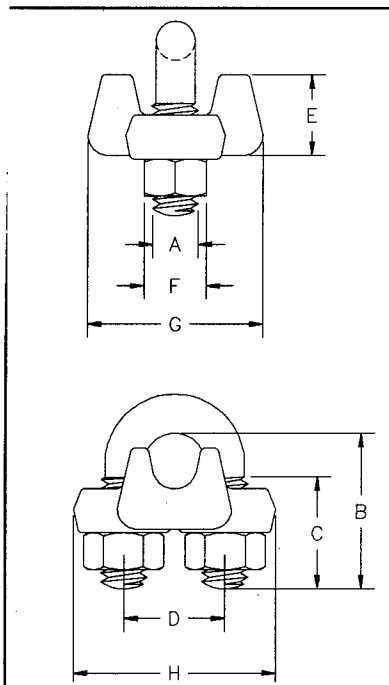
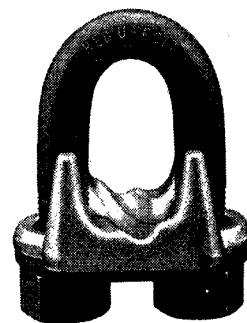


CROSBY® CLIPS



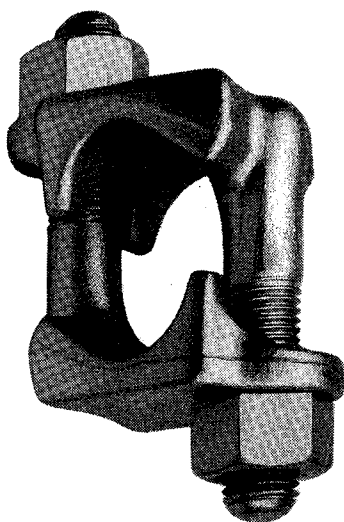
Look for the Red-U-Bolt,®
your assurance of
Crosby Clips.



G-450

- Sizes 1/8" through 3" have forged bases.
- Entire Clip — Hot Dip galvanized to resist corrosive and rusting action.
- Only Genuine Crosby Clips have a Red U-BOLT for instant recognition.
- All Clips are individually bagged or tagged with proper application instructions and warning information.
- Clip sizes up through 1 1/2" have rolled threads.

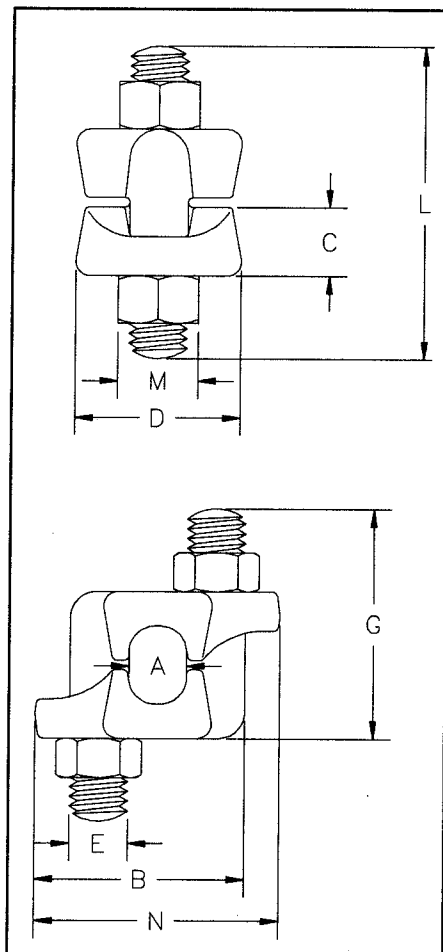
Crosby Clips all sizes 1/4" and larger meet
Federal Specification FF-C-450 TYPE 1 CLASS 1.



G-429

- Bolts are an integral part of the saddle. Nuts can be installed in such a way as to enable the operator to swing the wrench in a full arc for fast installation.
- All sizes have forged steel saddles.
- Entire clip is Hot Dip galvanized to resist corrosive and rusting action.
- All Clips are individually bagged or tagged with proper application instructions and warning information.
- Assembled with standard heavy hex nuts.

FIST GRIP® CLIPS



Fist Grip wire clips meet or exceed requirements of
Federal Specification FF-C-450 Type III, Class 1.