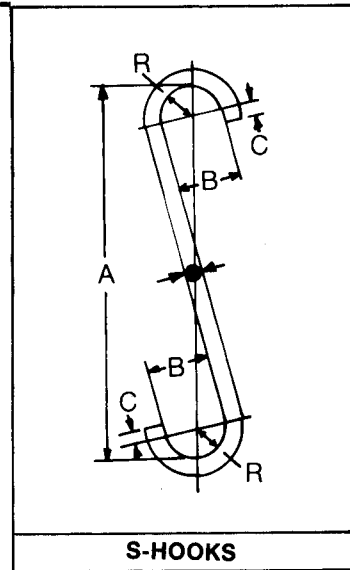


S-HOOKS/PLATE HOOKS/

FOUNDRY SORTING HOOKS

ALLOY S-HOOKS

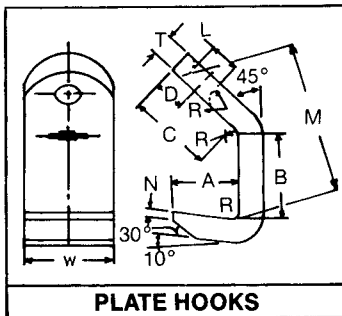


MATERIAL DIAMETER	CAT. NO.	DIMENSIONS			APPROX WEIGHT POUNDS	WORKING LOAD LIMIT*
		A	B	C		
.312	SHA0312	2.75	.75	.38	.08	225
.375	SHA0375	4.13	1.13	.56	.40	450
.500	SHA0500	5.50	1.50	.75	.60	900
.625	SHA0625	7.00	1.88	.94	1.3	1350
.750	SHA0750	8.25	2.25	1.13	2.3	1800
.875	SHA0875	9.50	2.63	1.31	3.0	2400
1.000	SHA1000	11.00	3.00	1.50	4.5	2900
1.250	SHA1250	13.75	3.75	1.88	8.5	3400
1.500	SHA1500	16.50	4.50	2.25	15.0	6800
1.750	SHA1750	19.25	5.25	2.63	24.0	10000
2.000	SHA2000	22.00	6.00	3.00	36.0	12000
2.250	SHA2250	24.00	6.75	3.38	50.0	15000
2.500	SHA2500	27.50	7.50	3.75	70.0	19000
2.750	SHA2750	30.50	8.25	4.13	95.0	23000

*3 to 1 Minimum WLL

For S-Hooks of special dimensions, other materials or shape see page 18 of the Design Section.

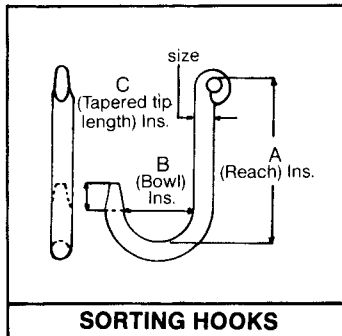
STANDARD PLATE HOOKS



FOR CHAIN SIZE	A	B	C	D	L	M	N	T	W	R	WEIGHT EACH, LBS.	W.L.L. LBS.	CAT. NO.
.28	2	1.75	2.50	.93	1	3.68	.12	.62	2.5	.31	2.8	4200	PL1
.37	2.62	3	4.31	1.18	1.12	6.37	.18	.75	2.75	.37	5.7	7400	PL2
.50	3.50	4	4.37	1.50	1.50	7.37	.25	1	3.5	.50	13	13000	PL3
.62	4.37	5	5.43	1.87	1.87	9.25	.31	1.25	5	.62	26.5	20400	PL4
.75	5.18	6	6.50	2.37	2.25	10.87	.37	1.50	5.75	.75	42	30000	PL5
.87	6	7	7.62	2.50	2.62	13.68	.43	1.75	6	1	65	40000	PL6

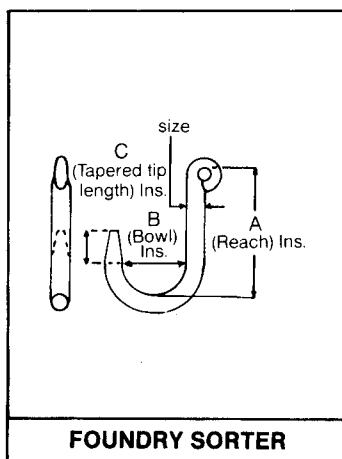
See page 20 for Special Plate Hooks.

SPECIAL FOUNDRY SORTING HOOKS



CAT. NO.	SIZE (Dia. Matl.)	CAPACITY (lbs.)	CHAIN SIZE Eye Fits Kuplex® or Hammerlock®	A	B	C
FS1	.50	500	.28	6	2.50	.50
FS2	.63	800	.28	8.50	3.50	1.25
FS3	.75	1500	.28	8.50	3.50	1.25
FS4	.81	2000	.38	8.50	3.50	1.25
FS5	1	2500	.38	8.50	4	1.25
FS6	1.12	3500	.38	8.50	4	1.25
FS7	1.25	4500	.50	8.50	4	1.25
FS8	1.50	6000	.50	8.50	5	1.50

FOUNDRY SORTER - SHORT VERSION



CAT. NO.	SIZE (Dia. Matl.)	CAPACITY (lbs.)	CHAIN SIZE Eye Fits Kuplex® or Hammerlock®	A	B	C
FS1-S	.50	450	.28	6	3	1.50
FS2-S	.62	750	.28	6	3	1.50
FS3-S	.75	1500	.28	6	3	1.50
FS4-S	.87	2000	.37	6	3	1.50
FS5-S	1	2500	.37	6	3	1.50
FS6-S	1.12	3000	.37	6	3	1.50
FS7-S	1.25	5000	.50	6	3	1.50

- Ideal for Foundry and Industrial general sorting operations
- Alloy Steel
- Proof Tested and Certified
- Sized for use with Hammerlock® or Kuplex® connectors
- Available in corrosion resistant steels for corrosive applications
- Special sizes on request, see page 18, Design Section