

TUFLOC[®]

For A Tough World



High Security Locks



Tufloc Locks features a unique design that eliminates the weak points of the traditional padlock, the shackle and hasp. This is why professionals in business, industry, US Military and government specify Tufloc when they want high-security, cost-effective locks. In addition to providing superb protection, the Tufloc Lock mounts to fit inward, outward, double-swinging, sliding and roll-up doors. Tufloc can even accommodate misaligned doors.

Criminal Resistant Design

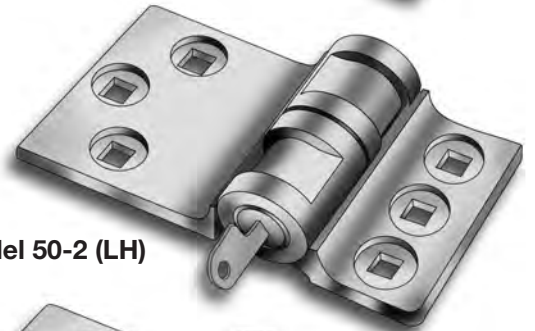
- Feature Medeco high-security cylinders
- Five-pin tumbler with pick resistant core
- Spin-free carbide rod in bolt resists sawing
- Special pins in cylinder face resist drill and saw attacks
- Angle-cut key deters duplication
- Recessed carriage bolt holes deter tampering

Easy to Operate

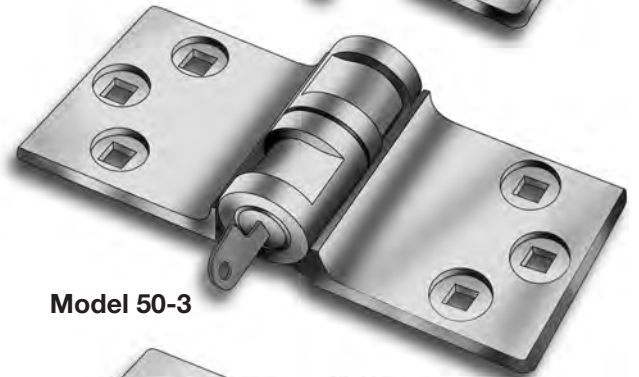
- A simple twist of the key releases the central bolt and unlocks the Tufloc Lock
- Cannot accidentally lock
- Keyed cylinders can be replaced
- Key can be removed in the locked or unlocked position
- Different keying options available: Keyed Alike, Keyed Differently, Master Keyed



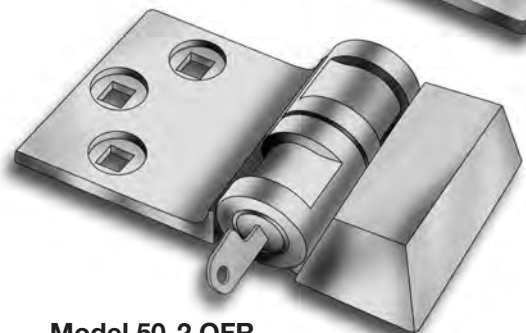
Model 50-1



Model 50-2 (LH)



Model 50-3



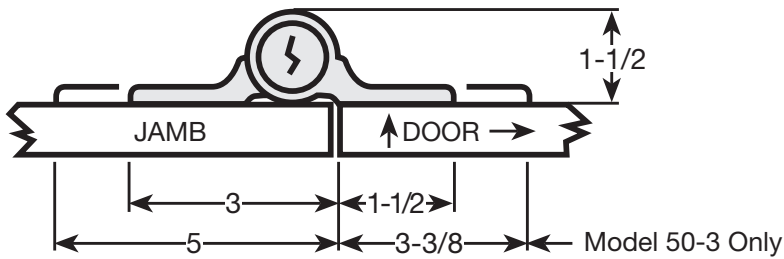
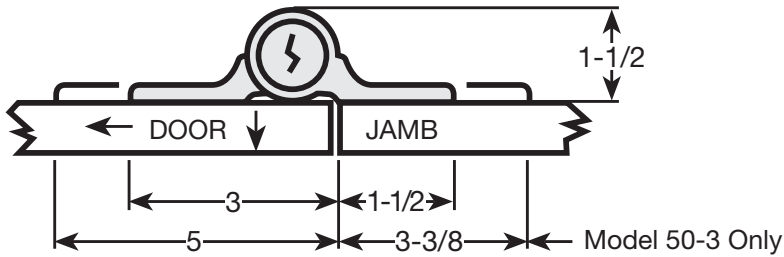
Model 50-2 QFR



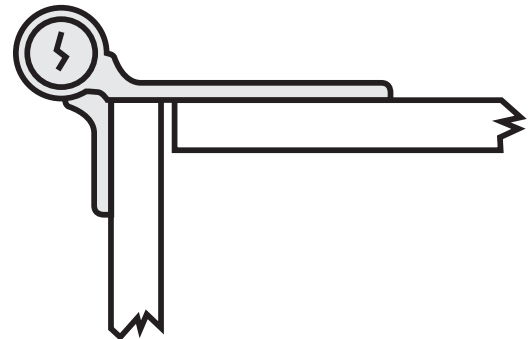
Installation on the back of a delivery van.

Mounting Specifications

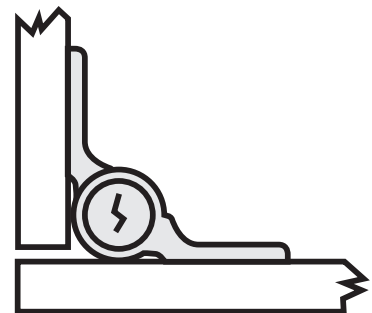
Besides flush mount, Tufloc Locks can accommodate a corner 90-degree mount (left/right) or an outside corner mount. For best results, mount Tufloc Locks on the strongest part of the unit with the key in the down position.



All dimensions in inches

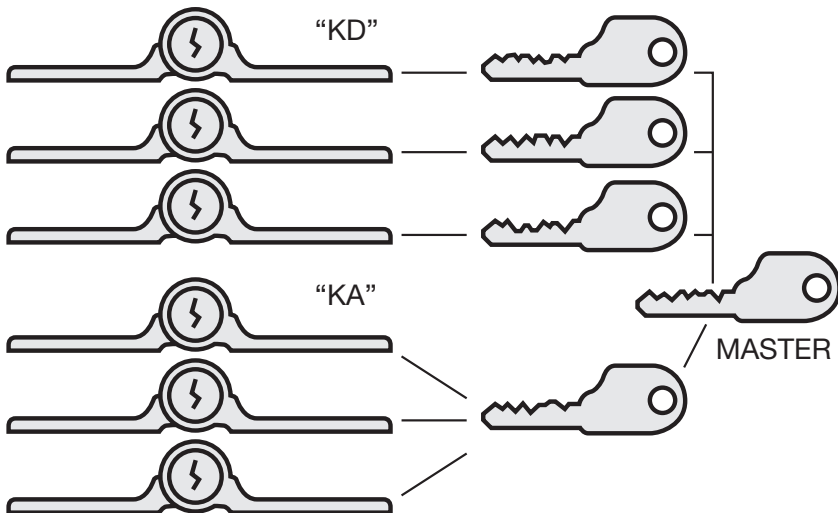


Outside Corner Mount



90-Degree Mount

Keying Options



- KD = Keyed Different
- KA = Keyed Alike
- MK = Master Keyed



Installation on the side of a cable van.

TUFLOC[®]

1406 Fifth Street, SW • Canton, Ohio 44702 • USA
330-452-9132 • Fax 330-452-2557 • info@esmet.com

1-800-321-0870

www.tufloc.com

