



w[®] **ichard**
English catalogue

Version 1



SOFTLINK

Soft shackle for all

- ▶ No knowledge of ropework required
- ▶ Replaces shackles and snap hooks
- ▶ Easy to fit and easy to open
- ▶ Remarkably strong and light
- ▶ 3 sizes available



SOCIAL NETWORKS

Get all the Wichard news on your favourite social networks:

▶ Become a fan of Wichard on Facebook
<https://www.facebook.com/wichardsailing>

▶ Wichard channel on YouTube:
<http://www.youtube.com/user/Wichardsailing>



SPORT PARTNERS

North Atlantic record, circumnavigation in a racing catamaran, Mini Transat, Figaro circuit, Olympic sailing, Class 40 and more.

Wichard is everywhere in 2013 and 2014!

Get our latest racing news via social networks and on page 62-63 of this catalogue.

SMA Record with Yvan Bourgnon and Vincent Beauvarlet, circumnavigation in a racing catamaran



Promoting sustainable forest management.

WICHARD	page 4 - 7
STAINLESS STEEL PRODUCTS	pages 8 - 29
RIG ADJUSTERS AND WIRE ACCESSORIES	pages 9 - 11
Babystay adjusters	page 9
Backstay adjusters	page 10
Lifeline hooks	page 11
FASTENINGS	pages 12 - 15
Folding pad eyes	page 13
Toe rail pad eyes and watertight U-bolts	page 14
Eye nuts, eye straps and eye bolts	page 15
SNAP HOOKS	pages 16 - 23
Snap shackles	page 17
Trigger snap shackles	page 18
Quick release snap shackles & opening pre feeder	page 19
Snap hooks	page 20
Carbine hooks, one hand sail snaps	page 21
Mooring hooks, rings and adjusters	page 22 - 23
SWIVELS	pages 24 - 25
SHACKLES	pages 26 - 31
Standard self-locking shackles	page 28
Captive pin shackles, key pin shackles, thimble shackles	page 29
«HR» and Titanium shackles - Soft shackle SoftLink	pages 30 - 31
BLOCKS	page 32 - 47
MXL: soft block, FRX: rings, MX	page 34 - 37
Ball bearing blocks and plain bearing blocks	pages 38 - 43
Roller blocks	page 44
Ratchet blocks and snatch blocks	page 45
Stainless steel blocks	page 46
Deck accessories	page 47
SAFETY	pages 48 - 51
Gyb'Easy: boom brake	page 49
Tethers with double action safety hook and carabiner - Tethers with quick opening snap shackle	pages 50
Lyf'Safe jacklines	page 51
SAILING ACCESSORIES	pages 52 - 57
Tiller extensions and wind indicators	page 53
Knives	pages 54 - 55
Wind indicators, shackler, key rings	page 56
Maintenance: Greenox, Wichinox	page 57
BLACK PRODUCT RANGE and CE MARKING	pages 58 - 59
TECHNICAL INFORMATION	pages 60 - 61
PARTNERSHIP	pages 62 - 63
CONTACT	page 64



Wichard, a standard in the sailing world



Highlights

Company founded by Henri Wichard	1919
Subcontractor for drop forging	1919-1972
Second factory and installation of an automatic forging line	1972
Development of range of stainless steel and titanium fittings created by Michel Boissonnet and tested by Bernard Moitessier, Eric Tabarly, Alain Colas and Philippe Jeantot; establishment of international distribution network	1973-1988
Company acquired by Jean-Loup Becquevort	1989
Acquisition of Maillard (Saint-Malo) and launch of the first range of blocks	1994
Acquisition of Forginox, a cutlery forge in Thiers	2005
Consolidation of activities at one single location in an industrial zone and installation of a new forging press	2006
Installation of a high speed machining facility for tooling production	2006
Wichard celebrates its 90 years	2009
Company purchased by a group of shareholders and Deck Development holding company created	2010

The company has evolved over the years from its origins as a forge in 1919 to the group it is today: establishment of two subsidiaries and a distribution network, as well as the acquisition of Profurl (specialised in sail furlers).

The global leader in marine fittings and top ranking player for industrial customers, the group has remained true to its original specialty and ethic.

⇒ Commitment

Working at Wichard means combining the demands of the business with a passion for the job. Our production teams are united by a "quality first" attitude and their commitment to the company's objectives. Marketing, engineering, sales and after-sales service departments: all the staff in Pornichet share the same passion for sailing. Their expertise stems from their experience.

⇒ Responsibility

Wichard designs, manufactures and markets its products. Even before the production phase, the company designs its own manufacturing tools. All safety products are manufactured in France by our teams using Wichard equipment. Wichard maintains control over its products all along the production chain, with the philosophy: to be a force in the sailing market through the inherent qualities of its products.

⇒ Openness

The company rapidly developed its export and industrial business. Encounters with other markets stimulated Wichard's open-mindedness, curiosity and responsiveness, and fostered its creativeness.

Wichard in figures

- ▶ Over 700 referenced products in the marine catalogue
- ▶ Over 500 industrial clients
- ▶ 2,000 sales outlets in France, 40 distributors worldwide





MX: halyard shackle - fully forged
- for 2:1 purchase for the main-
sail halyard or flying sail furlers
terminals

5 good reasons to choose **Wichard**

- ➊ **Guaranteed reliability**
- ➋ **Superior mechanical resistance**
- ➌ **Proven resistance to corrosion**
- ➍ **Certified production process**
- ➎ **Wide range of products**



ENVIRONMENT PROTECTION

Wichard is an ISO 14001 certified company. In this context Wichard, represented by its director, promises to:

- Respect all applicable environmental requirements
- Take active measures to prevent pollution.
- Design products that preserve environment and are recyclable.
 - > Reducing the manufacturing of sub-standard items, especially waste.
 - > Producing no more than is required.
- Minimize the environmental impact of its sites by:
 - > limiting the consumption of raw materials and energy;
 - > using clean manufacturing processes;
 - > avoiding the discharge of any material that may pollute the soil, air or waterways and treating its waste effectively.
- Involve its partners and collaborators in its improvement process.





Our expertise: between tradition and innovation



By making manoeuvres simpler, “easy sailing” contributes to the growth of amateur sailing and sailing becomes a perfectly safe leisure activity. Since its founding, Wichard has designed, developed and manufactured products with two key objectives: to guarantee the sailor’s safety and comfort.

Forged products a guarantee of safety

Why choose a forged product?

Safety provides comfort and performance: forging enables tough parts to be designed by deforming heated metal. Wichard forges its parts by drop forging, using a forge hammer: an operation which involves forming a heated slug under pressure between two dies. This technique makes the structure of the metal homogenous and gives the part strength and elasticity. The parts are then finished and tested prior to being sold.

In a foundry, the structure of the parts produced is random or heterogeneous: gas bubbles can become embedded in the metal, which reduces its strength. A machined product is shaped by removal of material: the structure of the metal is weakened locally.

Forging guarantees the elasticity of the product, its resistance to corrosion and strength, while optimising the size of the parts.

From mastery of forging techniques...

Our skills come from age-old knowledge, but our specialty is no longer a craft industry.

Depending on the part being made, drop forging is either carried out by a specialist technician, for complex deck fittings, or using an automatic drop hammer, for simple parts.

At the same time, our plant can meet numerous demands in terms of product feasibility.

From our staff’s experience to training apprentices: our knowledge is passed on within the company.

... to cutting edge technologies

Wichard is a bridge between the traditions of the forge and the performance requirements of modern sailing. Our St. Malo site, specialising in plastics technology, uses composite materials to produce our range of blocks, sticks and deck fittings. Plastics are not only stronger, but also combine good design, comfort and lightness.

With a focus on innovative markets, always attentive to yachtsmen and in touch with great skippers, Wichard is THE standard for marine deck fittings.





In the race for innovation

For nearly 40 years Wichard has been following the development of techniques and regularly designing new products.

When the company was taken over in 2002, the management team made innovation one of the key focus areas of its development. In Pornichet, an engineering department 100% devoted to marine applications designs new products in collaboration with the marketing, sales and after sales service departments. This method has been proven time and again to design efficient parts by taking every aspect of the final product into account:

- ▶ identifying and analysing the requirement: drafting of initial specifications
- ▶ translating the requirement into technical terms, then prioritising the product's functions: approval of the specifications by the departments involved
- ▶ seeking the best technical solutions with the aim of bringing a new approach to product design (e.g.: the Gyb'Easy boom brake, naturally more functional and easier to produce)
- ▶ using information technology to control risks (e.g.: using 3D software to visualise constraints the product will undergo to optimise its shape)
- ▶ manufacturing prototypes and assessing their performance: tests on machines and at sea
- ▶ moving to the mass production after approval by the departments involved.

Creation and innovation make headlines

We protect every new idea or concept and register one to four patents each year: our 90 patents represent real wealth for the company. As a responsible manufacturer, Wichard monitors the materials used and applies quality control procedures. From idea to final product, this is a means of optimally controlling our parts design. We regularly receive awards:



1 2011, **MXL soft block**

2 2008, Pitmann Innovation Award: **Gyb'Easy boom brake**

2 2007, Dame Award: **Gyb'Easy boom brake**
Special mention for "Deck equipment"

3 1998, Dame Award: **Double-safety carabiner**
1st prize for "Deck equipment"

1994, Dame Award: **Harness tether**
1st prize for "Clothing and protection"

Partnership

For many years, Wichard has been supporting some of the best French sailors:

- ▶ Olympic Sails / 470: Pierre Leboucher and Nicolas Leberre
- ▶ Figaro 2: Adrien Hardy / Agir Recouvrement - Nicolas Jossier / In Extenso
- ▶ Class 40: Armel Tripon / Géodis
- ▶ 80' multihull: François Joyon / Idec
- ▶ Mini 6.50: Arthur Leopold-Léger - Julien Pulvé
- ▶ Circumnavigation in a racing catamaran: Défi SMA - Yvan Bourgnon - Vincent Beauvarlet





Stainless steel products



WICHARD OFFERS A COMPLETE RANGE OF STAINLESS STEEL PRODUCTS INCLUDING:

- ▶ Babystay adjusters, backstay adjusters.
- ▶ Wire accessories: lifeline hooks.
- ▶ Fastenings: folding pad eyes, watertight U-bolts.
- ▶ Eye straps, eye nuts and eye bolts.
- ▶ Snap hooks and swivels.
- ▶ Shackles.

MAINTENANCE: GREENOX - WICHINOX

(see page 57)



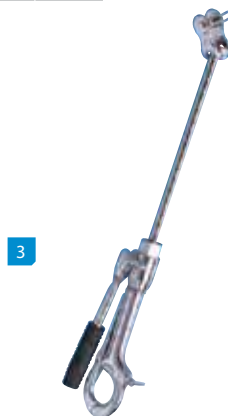
+ Benefits

- ▶ Large range of babystay adjusters
- ▶ Available with wheel, handle or ratchet
- ▶ Ergonomic and comfortable to use
- ▶ Easy to install and dismantle
- ▶ Forged body and snap hook
- ▶ Resistant to high loads
- ▶ Perfect for setting a flying sail (solent jib or storm jib)
- ▶ Optimizes yacht performance
- ▶ Long travel model available

Babystay adjusters

For fitting a jib, setting up a genoa or a solent jib... Both for safety and performance reasons, fitting a removable inner forestay is strongly recommended when there is a roller furling system. Wichard offers a whole range of babystay adjusters. The table below will allow you to determine the best suitable product for your boat.

N°	Part #	Length pin to pin closed / open mm	Toggle length x width mm	Ø pin mm	Handling Kg	W.L. Kg	B.L. Kg	Ø stud mm	For wire Ø mm	Weight Kg
With wheel (delivered with shackle part # 1206)										
1	5546	250 / 310	15 x 20	12	1200	2800	5300	12	5/6/7	1.090
With handle										
2	5554	310 / 450	10 x 10	8	800	960	2400	8	4/5	0.802
3	5556	450 / 510	15 x 20	12	1200	2800	5100	12	5/6/7	1.268
4	5566	370 / 540	15 x 20	12	1200	2800	5000	12	5/6/7	1.390
With ratchet										
5	5585	360 / 520	17 x 22	12	2500	3200	6000	14	7/8/9	1.848
	5587	360 / 520	17 x 22	14	2500	3200	6700	14	7/8/9	1.856
	5588	415 / 615	18 x 25	16	3300	3200	9000	16	9/10	2.862



Selection chart of babystay adjusters per size of boat

Length in m		6 to 7.60	7.60 to 9.00	9.00 to 10.00	10.00 to 10.70	10.70 to 11.15	11.50 to 12.00	12.00 to 13.60	13.60 to 14.50
Length in ft		20 to 25	25 to 30	30 to 33	33 to 35	35 to 38	38 to 40	40 to 45	45 to 48
Head stay	Removable stay								
5 mm	4 mm	5554	5554						
6 mm	5 mm	5554	5546/5556 5566	5546/5556 5566					
7 mm	6 mm	5546/5556	5556/5566	5556/5566	5566				
8 mm	7 mm	5546/5556	5566/5587 5585	5587/5585	5587/5585	5587/5585	5587/5585	5587/5585	5587/5585
9 mm	8 mm		5587/5585	5587/5585	5587/5585	5587/5585	5587/5585	5587/5585	5587/5585
10 mm	9 mm		5587/5585	5587/5585	5587/5585	5587/5585	5587/5588	5588	5588
12 mm	10 mm			5588	5588	5588	5588	5588	5588

These indications are not contractual, as each boat is different, we recommend checking with a professional.

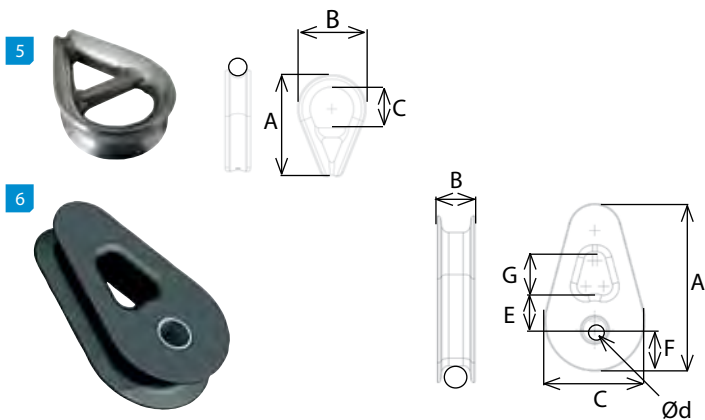
Accessories for babystay attachment



Wichard offers a comprehensive range of fixing points for babystay attachment. Double pad eye allows a single attachment point for both the babystay pelican adjuster and the jib tack point, fits all sizes of adjusters.

N°	Part #	Description	Weight kg
1	9150	Babystay tang , to be fitted to the mast	0.306
2	6564	Double folding pad eye dia 6 (see page 13)	0.126
	6565	Double folding pad eye dia 8 (see page 13)	0.252
	6566	Double folding pad eye dia 10 (see page 13)	0.494
3	9204	Eye strap, used as a backing plate for double pad eye part #6564 & 6565 (see page 13)	0.038
	9205	Eye strap, used as a backing plate for double pad eye part #6566 (see page 13)	0.075
4	6435	Threaded eye hook for tensioning. Breaking load 1000 kg (small yachts). Length: 450 mm - M10	0.254

Thimbles stainless steel and aluminium



N°	Part #	A mm	B mm	C mm	Ø d mm	E mm	F mm	G mm	Wire Ø mm	Weight Kg
Stainless steel thimbles reinforced with welded bar										
5	119907	45	28	17	-	-	-	-	8	0,015
5	119908	50	33	20	-	-	-	-	10	0,017
Aluminium thimbles										
6	P542538	75	17	45	10,5	16	18,5	19	12	0,055
6	P545038	92	18	52	12,5	19	21,5	21	16	0,068

Backstay adjusters

« PATENTED »



Benefits

- ▶ Available with wheel, handle or ratchet
- ▶ Ergonomic and comfortable to use
- ▶ Optimizes rigging performance
- ▶ Compact size
- ▶ Forged body
- ▶ Resistant to high loads

N°	Part #	Length pin to pin Closed/open mm	Toggle length x width mm	Ø pin mm	Handling mm	W.L. Kg	B.L. Kg	Ø Stud mm	For wire Ø mm	Weight Kg
With wheel										
7	5526	350 / 520	15 x 20	12	1200	2800	5300	12	5/6/7	1.128
With handle										
8	5536	350 / 520	15 x 20	12	1200	2800	5300	12	5/6/7	1.306
With ratchet										
9	5565	440 / 660	17 x 22	12	2500	3200	5000	14	7/8/9	2.052
	5567	440 / 660	17 x 22	14	2500	4400	6700	14	7/8/9	2.088
	5568	505 / 755	18 x 25	16	3300	5600	9000	16	9/10	3.264

WL: working load - BL: breaking load



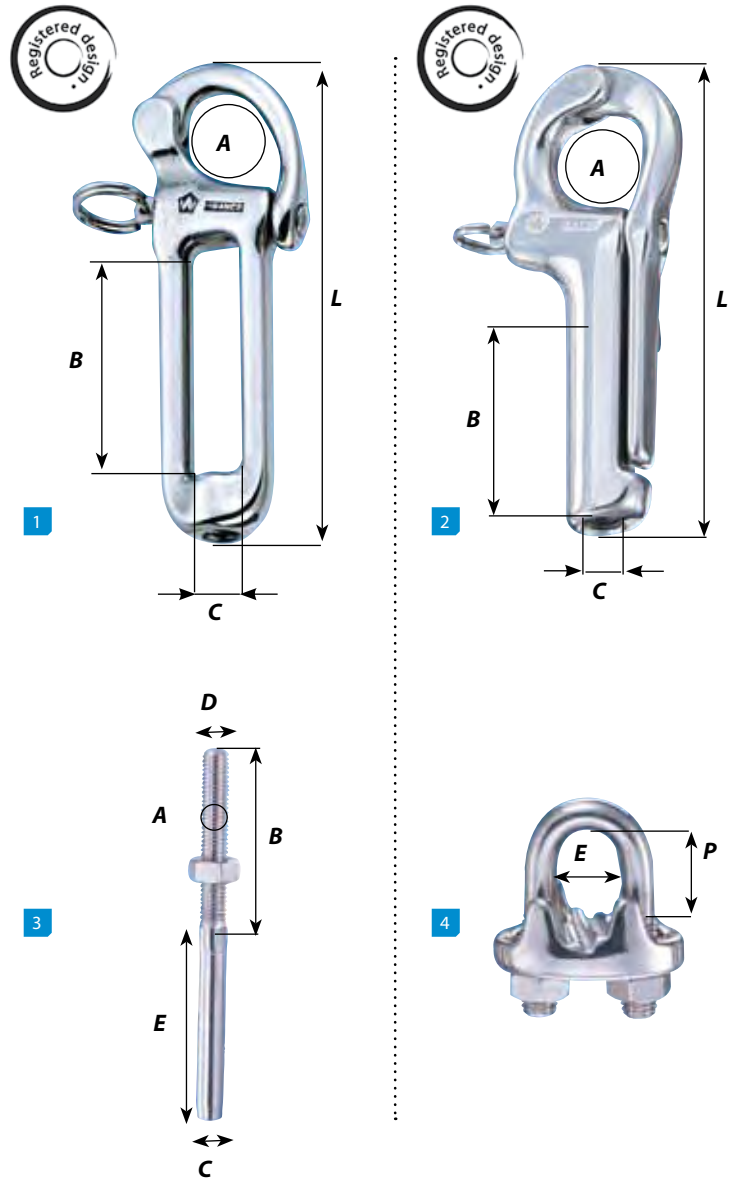
Lifeline hooks

Benefits

- ▶ Registered design
- ▶ Forged in 316L stainless steel
- ▶ For closing lifelines gate
- ▶ Off-centre shape allows the wires to be tensioned easily

N°	Part #	Length mm (L)	A mm	B mm	C mm	W.L. Kg	B.L. Kg	Weight Kg	
Lifeline hook «patented»									
1	2833	95	16	48	M8x125	640	1500	0.076	
N°	Part #	Length mm	A mm	B mm	C mm	Tension mm	W.L. Kg	B.L. Kg	Weight Kg
Pelican hooks «patented»									
2	12836	170	20	18	M12 x 175	28	2400	6500	0.558
	12837	170	20	18	M14 x 200	28	3200	6500	0.534
	2831	100	16	48	M8 x 125	22	640	2300	0.106
N°	Part #	A mm	B mm	C mm	D mm	E mm	For wire Ø mm	Weight Kg	
Swage studs (for part # 2831 et 2833)									
3	7802	7,5	40	4,3	M8 x 125	40	4	0.036	
	7803	9	40	5,3	M8 x 125	48	5	0.042	
	7804	11	40	6,3	M8 x 125	56	6	0.056	
N°	Part #	For wire Ø mm	E mm	M mm	P mm (min/max)	Weight Kg			
Wire grips									
4	7304	3-5	5	4 x 70	2/9	0.009			
	7306	5-6	7	5 x 90	4/13	0.020			
	7308	7-8	9	6 x 100	6/17	0.039			
	7310	10	11	8 x 125	8/21	0.083			
	7312	12	13	8 x 125	10/26	0.102			
Sail chafe protector									
5	4107	This two part ring which is suitable for clipping on to 6 to 10 mm diameter wires, protects sails and facilitates manoeuvring whilst minimising snagging risks							

WL: working load - BL: breaking load



Sail chafe protector





Fastenings

The Wichard range intended for safety fixing of deck and rigging components, provides an elegant and effective solution.

The range has applications that extend beyond the maritime sector, and they are also used in the industrial sector, as well as for architectural purposes and interior decorating.

WICHARD OFFERS A WIDE RANGE OF PADEYES:

- ▶ Folding padeyes in stainless steel or titanium.
- ▶ Toe rail padeyes.
- ▶ U-bolts.
- ▶ Watertight U-bolts.



Folding pad eyes

Wichard padeyes: Choose the original!

Only Wichard padeyes are completely forged. They are 100% safe, highly resistant to corrosion and their design is suitable for all types of boats.



Benefits

- ▶ Registered design - Made in France
- ▶ Hot forged
- ▶ Available in single and double models
- ▶ Available in 316L s/s or Titanium
- ▶ Outstanding working loads in all positions
- ▶ Compact, can be folded
- ▶ Silicon pad to reduce noise and vibrations
- ▶ Aesthetic
- ▶ Multi-use: fastening, shrouds, blocks, jackstays etc...

N°	Part #	Ø D mm	A mm	B mm	C mm	Ø d mm	E mm	W.L. Kg	B.L. Kg	Weight Kg
Universal folding pad eye - with silicon pad to hold the ring										
1	6684	6	40	23,4	min 15	7	40	750	1600	0.056

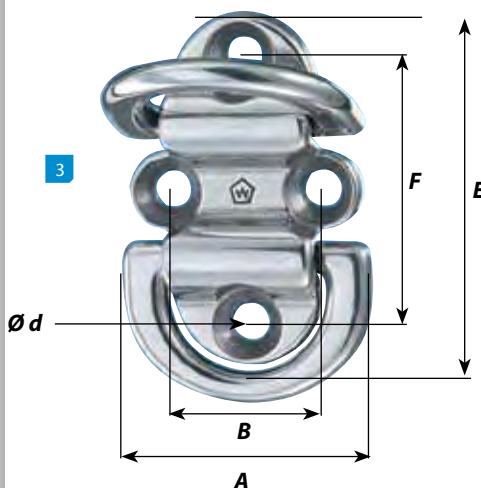
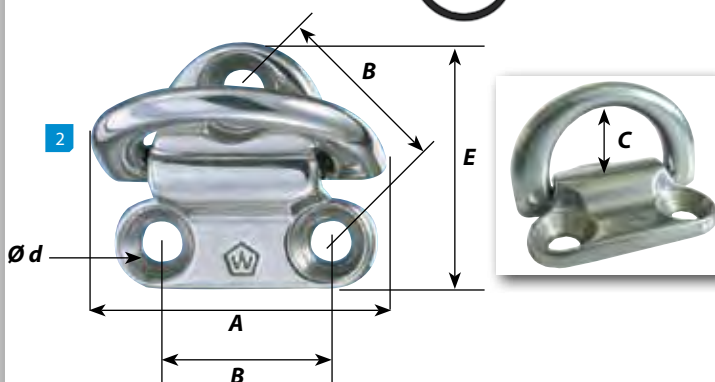
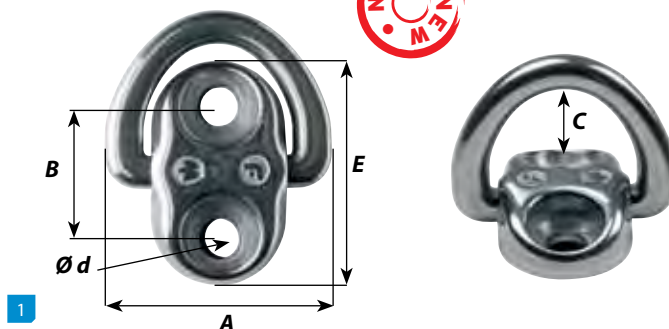
Folding pad eye «patented»										
2	6504	6	45	27	14	6,4	40	1440	2700	0.067
2	6505	8	59	35	17	8,5	50	2400	4500	0.136
2	6506	10	75	45	23	10,5	65	4080	8000	0.286

Titanium folding pad eye «patented»										
2	56504	6	45	27	14	6,4	40	1600	3000	0.040
2	56505	8	59	35	17	8,5	50	2720	5000	0.080
2	56506	10	75	45	23	10,5	65	4560	8500	0.174

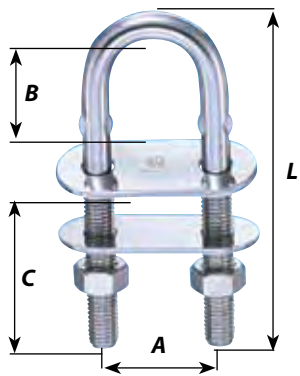
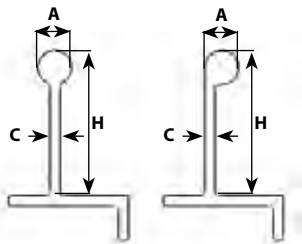
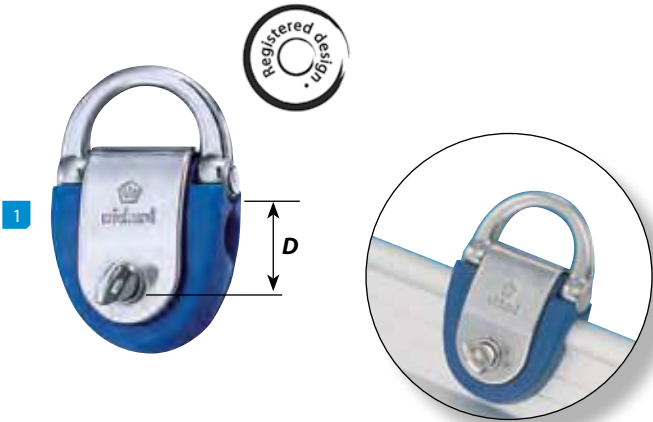
The Wichard double folding pad eyes have been designed to attach several shrouds or a removable stay.

N°	Part #	Ø D mm	A mm	B mm	C mm	Ø d mm	E mm	F mm	W.L. Kg	B.L. Kg	Weight Kg
Double folding pad eye											
3	6564	6	45	27	14	6,4	75	59	1440	2500	0.126
3	6565	8	59	35	17	8,5	81	59	2400	4300	0.252
3	6566	10	75	45	23	10,5	104	78	4560	9000	0.494

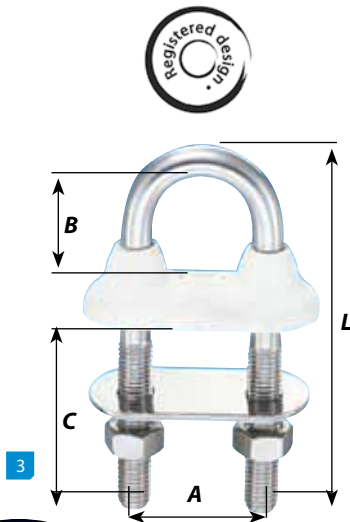
WL: working load - BL: breaking load



Toe rail pad eyes



2



3



Using these sliding padeyes, the toe rail can be used without any risk of damage, for a wide range of applications, such as attaching running rigging, barber hauler, boom brake, kicking strap, or mooring/fender line guide when docked.

N°	Part #	Toe rail	Ø A mini - maxi mm	H mini mm	C mini - maxi mm	D mm	W.L. Kg	B.L. Kg	Weight Kg
Toe rail pad eyes «patented»									
1	16613	Standard	9-13	40	2-4	14	960	3000	0186
	16614	Asymetric	9-13	40	2-5	14	960	3000	0.186
	16615	Standard	12-15	45	4-6	18	1200	3800	0.280

N°	Part #	Ø mm	L mm	A mm	B mm	C mm	W.L. Kg	B.L. Kg	Max tightening torque Nm	Weight Kg
U-Bolts										
2	6511	4	50	24	21	27	480	1000	2,3	0.022
	6512	5	60	28	24	30	640	2000	4,5	0.035
	6513	6	70	32	27	35	1280	3000	7,5	0.060
	6523	6	90	32	27	55	1280	3000	7,5	0.067
	6514	8	80	36	30	40	2400	4800	18	0.114
	6524	8	100	36	30	60	2400	4800	18	0.127
	6515	10	90	40	32	45	3600	7000	36	0.200
	6525	10	110	40	32	65	3600	7000	36	0.222
	6516	12	110	44	34	50	6400	10000	60	0.319
	6526	12	130	44	34	70	6400	10000	60	0.349

Benefits

- ▶ Registered design - Made in France
- ▶ Outstanding working loads
- ▶ UV-resistant rubber collar
- ▶ Complete watertightness guaranteed
- ▶ Available in black and white
- ▶ Eliminates need to install watertight seal
- ▶ Aesthetically pleasing solution
- ▶ Delivered with nuts and counterplate



N°	Part # black	Part # white	Ø mm	L mm	A mm	B mm	C mm	W.L. Kg	B.L. Kg	Max tightening torque Nm	Weight Kg
Watertight U-Bolts «patented»											
3	65321	65322	5	60	28	21	30	640	2000	4,5	0.035
	65331	65332	6	70	32	24	35	1280	3000	7,5	0.060
	65431	65432	6	90	32	24	55	1280	3000	7,5	0.068
	65341	65342	8	80	36	25	40	2400	4800	18	0.123
	65441	65442	8	100	36	25	60	2400	4800	18	0.136
	65351	65352	10	90	40	26	45	3600	7000	36	0.219
	65451	65452	10	110	40	26	65	3600	7000	36	0.238
	65361	65362	12	110	44	27	50	6400	10000	60	0.345
	65461	65462	12	130	44	27	70	6400	10000	60	0.375

+ Benefits

- ▶ Hot forged with 316L stainless steel
- ▶ High resistance
- ▶ Round shape to prevent wear to straps, lines etc...
- ▶ Multi-use

N°	Part #	Ø D mm	A mm	B mm	E mm	B.L. Kg	Weight Kg
Saddles							
1	9201	4	8	11	30	650	0.004
	9202	5	10	13	37,5	1800	0.009
	9203	6	12	16	45	2400	0.016
	9204	8	16	21	60	3500	0.038
	9205	10	20	26	78	7000	0.075

N°	Part #	Ø D mm	A mm	B mm	E mm	Weight Kg
Webbing eye Straps						
2	9211	4	28	5	56	0.007
	9212	5	34	10	65	0.013
	9222	5	50	12	86	0.018

N°	Part #	Ø D mm	A mm	B mm	E mm	Weight Kg
Reefing eye strap						
Many purposes like reefing applications.						
3	9412	6	10	35	15	0.019

N°	Part #	Ø D mm	A mm	B mm	E mm	Weight Kg
Flat eye strap: to tension multihull trampoline						
4	9413	7	12	50	18	0.033

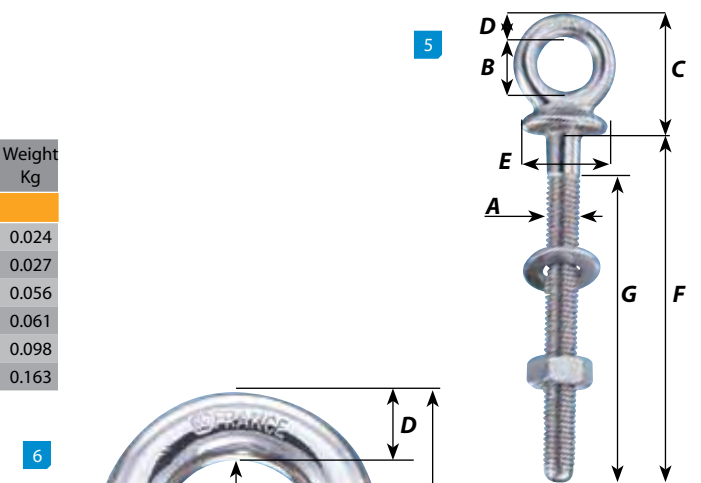
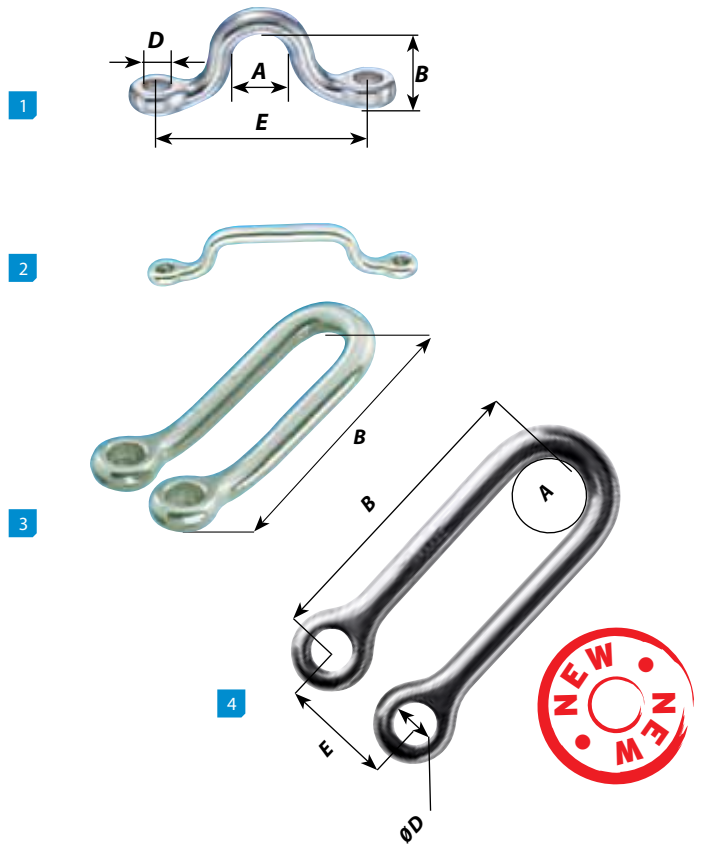
Wichard eye nuts and eye bolts are single-piece forged components that guarantee you excellent safety standards for your fastenings. They come in a broad range of sizes, enabling you to find the solutions best suited to your circumstances. Should you wish to order large quantities with specific lengths or diameters, Wichard can also manufacture custom-made items.

N°	Part #	A mm	B mm	C mm	D mm	E mm	F mm	G mm	W.L. Kg	B.L. Kg	Max tightening torque Nm	Weight Kg
Eye Bolts												
5	6490	M6 x 100	12	25	5	17	40	34	560	900	7,5	0.024
	6491	M6 x 100	12	25	5	17	60	54	560	900	7,5	0.027
	6492	M8 x 125	14	30	6	20	80	70	960	1500	18	0.056
	6493	M8 x 125	14	30	6	20	100	90	960	1500	18	0.061
	6495	M10 x 150	16	36	7	25	100	88	1600	2700	36	0.098
	6497	M12 x 175	18	41	8	28	120	105	2400	3500	60	0.163

N°	Part #	A mm	B mm	C mm	D mm	E mm	*B.L. Kg	Weight Kg
Eye nuts								
6	6333	M6 x 100	13	27	6	17	1500	0.022
	6334	M8 x 125	13	27	6	17	2200	0.020
	6344	M8 x 125	17	36	8	22	3000	0.051
	6345	M10 x 150	17	36	8	22	4500	0.049
	6355	M10 x 150	22	46	10	28	4800	0.099
	6356	M12 x 175	22	46	10	28	5200	0.095
	6366	M12 x 175	27	56	12	34	7000	0.175
	6367	M14 x 200	27	56	12	34	9000	0.171
	6368	M16 x 200	27	56	12	34	10000	0.165

* The strength figures given are an indication only and change according to specification of the end fitting

Eye straps, eye nuts, eye bolts





Snap hooks

Whatever your application is, you will always find the appropriate Wichard snap hook.

I WICHARD OFFERS A COMPLETE RANGE OF SNAPS HOOKS:

- ▶ «HR» snap shackles.
- ▶ Trigger snap shackles.
- ▶ Quick release snap shackles.
- ▶ Snap hooks.
- ▶ Carbine hooks.
- ▶ Mooring hooks.

The Wichard snap hooks will never break suddenly!
They show signs of deformation well before reaching the breaking point.



«HR» snap shackles



Benefits

- ▶ Forged in HR stainless steel
- ▶ Designed and made in France
- ▶ High resistance
- ▶ Captive plunger pin
- ▶ Large range
- ▶ Easy opening
- ▶ Multi-use: halyards, tethers etc...

N°	Part #	Length mm	A mm	B mm	C mm	Ø D mm	E mm	W.L. Kg	B.L. Kg	Weight Kg
Fixed eye										
1	2470*	35	8	6				160	400	0.012
	2471	50	16	10				960	2000	0.042
	2472	70	21	13				1280	3000	0.090

N°	Part #	Length mm	A mm	B mm	C mm	Ø D mm	E mm	W.L. Kg	B.L. Kg	Weight Kg
Clevis pin										
2	2293	52	16	8	13	6	8,1	960	2000	0.054
	2295	70	21	11,5	16	8	11,5	1280	3850	0.130
	2297	86	26	14	21	10	14	2800	7000	0,257

N°	Part #	Length mm	A mm	Metric thread (Iso) B	W.L. Kg	B.L. Kg	Weight Kg
Without swivel with female thread							
3	72473	45	16	M7 x 75			0.042
	72475	60	21	M9 x 75			0.096
	72477	80	26	M12 x 100			0.222

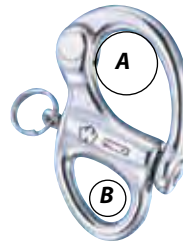
N°	Part #	Length mm	A mm	B mm	C mm	Ø D mm	E mm	W.L. Kg	B.L. Kg	Weight Kg
Swivel eye										
4	2473	70	16	11				960	2000	0.065
	2475	90	21	14				1280	3700	0.136
	52475*	90	Titanium					1200	2800	0.094
	2477	120	26	21				2800	7000	0.353

N°	Part #	Length mm	A mm	B mm	W.L. Kg	B.L. Kg	Weight Kg
With thimble eye							
5	2493	95	16	12	960	2000	0.076
	2495	110	21	14	1280	2400	0.150

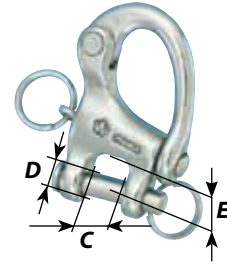
N°	Part #	Length mm	A mm	B mm	W.L. Kg	B.L. Kg	Weight Kg
Large bail							
6	2373	80	16	19	960	2000	0.070
	2375	105	21	26	1280	3600	0.160
	2377	140	26	35	2800	7500	0.398

N°	Part #	Length mm	A mm	B mm	W.L. Kg	B.L. Kg	Weight Kg
Webbing swivel							
7	2374	80	16	30	960	2000	0.085
	2376	100	21	40	1280	3850	0.170

N°	Part #	Length mm	A mm	B mm	C mm	Ø D mm	W.L. Kg	B.L. Kg	Weight Kg	
With clevis pin swivel										
8	2474	70	16	15	12	6	800	1600	0.071	
9	2476	90	21	17	11	7	1280	3800	0.154	
9	2478	120	26	27	18	11	2400	7000	0.417	



1



2



3



4



5



6



7



8



9



Speedlink the new trigger snap shackle



Universal eye:
Halyard - Spinnaker - Peeling

+ Benefits

- ▶ Universal eye version
- ▶ For halyards, spinnaker sheets...
- ▶ Can handle 2 sheets or 1 sheet and 1 snap hook/shackle
- ▶ Forged in HR s/s
- ▶ Designed and made in France



Webbing eye:
Tack point

+ Benefits

- ▶ Webbing eye version
- ▶ For foresail tack points
- ▶ Optimized design for fitting to webbing
- ▶ Forged in HR s/s
- ▶ Designed and made in France



Scan the QR code
with your smart
phone to download
the Speedlink movie.



Titanium



LIGHTWEIGHT:

Speedlink was developed using finite element analysis software and has an optimised design. Its shape, cut-outs and ribs make it extremely light and give it one of the best strength/weight ratios on the market.

A MODERN DESIGN...

Speedlink's ultra-technical lines make it one of the most modern and efficient snap shackles available.

- The special load-bearing surface of the swivel eye avoids excessive rope wear.
- Its overall design prevents adjacent lines from jamming.

... FOR EFFICIENT OPERATIONS

- Easy opening: opening under load, by using the release fid, is easy and effortless thanks to the generous passage diameter and its optimised slopes.
- Secure locking: the special shape of the latch reduces inertia and avoids unintentional opening, especially under impact, while the distribution of stresses limits the effort needed to open it under load.

STURDY:

Speedlink is forged in HR stainless steel and can bear exceptional working and breaking loads for a minimum weight.

N°	Part #	Length mm	A mm	B mm	C mm	W.L. Kg	B.L. Kg	Weight Kg
Universal eye: for halyard, spinnaker and peeling								
1	2650	74	14	11,5		1100	2300	0,059
	2652	87	17	15,5		1440	3400	0,097
	2654	108	21	22		2320	5400	0,173
	2656	134	25	26		4300	8700	0,326

N°	Part #	Length mm	A mm	B mm	C mm	W.L. Kg	B.L. Kg	Weight Kg
Eye for webbing: for tack point applications								
2	2750	72	14	11	23	1100	2000	0,058
	2752	83	17	13	26	1440	3400	0,095
	2754	102	21	17	35	2320	5400	0,174
	2756	128	25	21	59	4300	8700	0,337

Release fid - anodised aluminium - Length: 15 cm - Part # 10302



Trigger snap shackles

N°	Part #	Length mm	A mm	B mm	C mm	D mm	W.L. Kg	B.L. Kg	Weight Kg
Titanium trigger snap shackles									
4	52653	85	17	11		Titanium	1200	2400	0.067
	52657	125	27	19		Titanium	3200	6000	0.200
Swivel shackle (HR stainless steel)									
5	2855	105	22	13	11	7	1600	4000	0.184
	2857	135	27	19	18	11	4160	8000	0.390

WL: working load - BL: breaking load

PERFORMANCE

Before re-hoisting, the bowman doesn't need to remove the headsail from the luff groove, he just has to open the prefeeder and close it around the luff tape. No need to remove the headsail anymore!

EASE OF USE

To open it simply push the spring with your thumb, the jaws will open automatically. To close, squeeze the jaws together between your thumb and fingers, until the spring reengages.

EASY TO INSTALL

The prefeeder can be easily installed below any headsail foil or headsail reefing configuration. In the closed position, it ensures a smooth and easy sail hoist.

Features:

- ▶ Single handed operation by pushing on the spring
- ▶ Easy to install with a lashing or fixed to the forestay
- ▶ Stainless steel product benefiting from the Wichard know-how to offer the highest reliability
- ▶ Weight: 0.050 kg
- ▶ Part # 7485

Opening luff Rope Prefeeder

for racing foils and furling systems



Benefits

- ▶ Forged in HR stainless steel
- ▶ Designed and made in France
- ▶ Available with swivel eye, large eye and tack snap configuration
- ▶ Ideal for sheets (genoa, spinnaker)
- ▶ Outstanding working loads
- ▶ Control line for easy to release
- ▶ Aesthetic

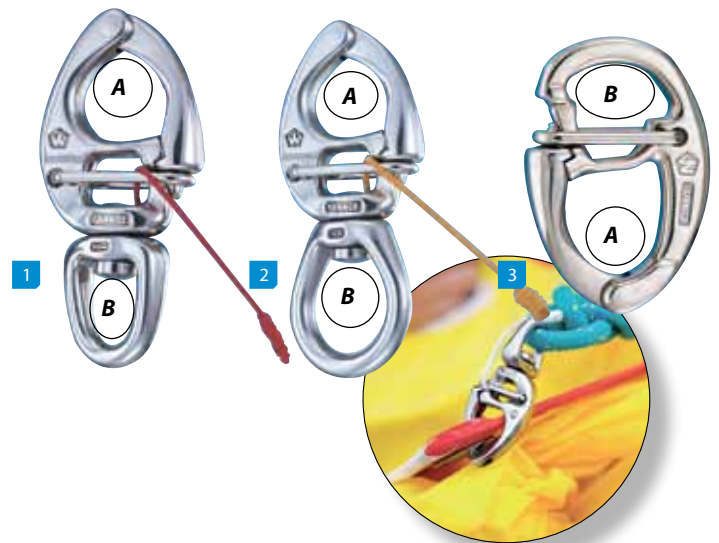
N°	Part #	Length mm	A mm	B mm	W.L. Kg	B.L. Kg	Weight Kg
With swivel eye							
1	2673	70	14	11	880	1500	0.059
	2674	80	16	12	1280	2300	0.088
	2675	90	20	13,5	1600	3200	0.136
	2676	110	25	16	2400	4200	0.233
	2677	130	30	20	3200	6300	0.371
	2678	150	34	24	5200	9000	0.548

With large bail							
2	2773	80	14	19	880	1300	0.054
	2774	90	16	23	1280	2000	0.100
	2775	110	20	26,5	1600	3000	0.160
	2776	120	25	31	2400	4000	0.271
	2777	145	30	35,5	2800	6300	0.396
	2778	160	34	41	5200	8000	0.618

Tack snap shackle							
3	2575	70	20	25	1280	2300	0.095

Quick release snap shackles

« patented »



Double action Safety hooks

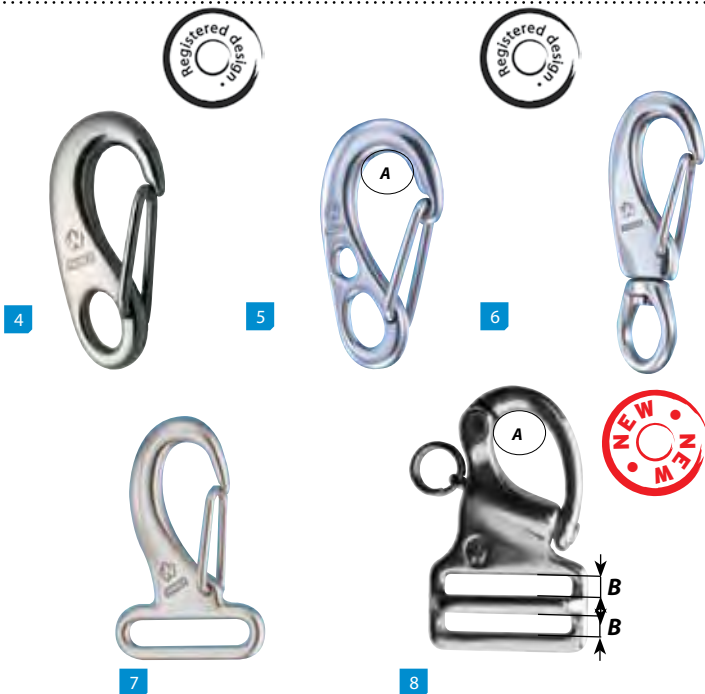


+ Benefits

- ▶ Registered design - Made in France
- ▶ Forged in 316L stainless steel
- ▶ Torsion spring
- ▶ Opens with one hand
- ▶ No risk of accidental opening
- ▶ Integrated into the Wichard tethers

N°	Part #	Colour	Length mm	A mm	B mm	W.L. Kg	B.L. Kg	Weight Kg
Double action safety hook «patented»								
1	2454	Yellow	115	18	19 x 10	1200	2800	0.126
2	2455	Blue	115	18	19 x 10	1200	2800	0.126
3	2452	Fluorescent	115	18	19 x 10	1200	2800	0.126

Safety snap hooks



+ Benefits

- ▶ Registered design - Made in France
- ▶ Forged in 316L or HR stainless steel
- ▶ Outstanding working loads
- ▶ Aesthetic design
- ▶ Multi-use on board

N°	Part #	Length mm	A mm	B mm	W.L. Kg	B.L. Kg	Weight Kg
Snap hooks «patented»							
4	2480	50	8	6	200	300	0.023
	2481	75	12	10	480	700	0.067
	2482	100	16	13	1120	1500	0.186
Safety snap hook «HR»							
<i>Models forged in 17.4 Ph (HR stainless steel)</i>							
5	2381	75	12	10	880	1600	0.064
	2382	100	17	14	1680	4000	0.167
Swivel snap hooks							
6	2384	70	8	13	200	300	0.036
	2385	100	12	19	480	750	0.102
Webbing snap hook							
7	2284	60	8	30	200	300	0.035
Snap hook with fixed eye and for 20 mm webbing							
8	2270	44	8	3	160	400	0.014

+ Benefits

- ▶ Designed and made in France
- ▶ Available with eye to attach strap, or without eye
- ▶ Symmetric or asymmetric shape
- ▶ Perfect for fast operations
- ▶ Standard on Wichard tethers (part # 7001, 7002, 7011)

CARBINE HOOKS

« patented »

N°	Part #	Ø mm	Length mm	A mm	B mm	W.L. Kg	B.L. Kg	Weight Kg
Symmetric								
1	2313	6	60	10	7	360	600	0.030
	2315	8	80	13	11	880	1300	0.072
	2316	10	100	15	13	1200	2500	0.132
	2317	12	120	21	16	1360	3600	0.229
Asymmetric								
2	2323	6	60	11	7	400	800	0.031
	2325	8	80	15	11	960	1500	0.073
	2326	10	100	18	13	1320	2500	0.136
	2327	12	120	24	16	1440	4500	0.234
	2328	12	170	30	20	1440	4500	0.336
Without eye								
3	2333	6	60	10	8	360	600	0.028
	2335	8	80	13	13	880	1600	0.062
	2336	10	100	15	14	1200	2500	0.124
	2337	12	120	21	16	1360	3800	0.200

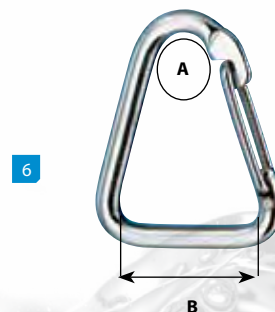
+ Benefits

- ▶ Ideal for setting a headsail
- ▶ One hand operation
- ▶ Available in 316L stainless steel or brass
- ▶ Efficient operation : does not jam

N°	Part #		Length mm	A mm	B mm	W.L. Kg	B.L. Kg	Weight Kg
«One hand» sail snaps								
4/5	2486	stainless steel	50	7,5	6,5	160	300	0.022
	2483	stainless steel	55	9	8	240	400	0.037
	2487	stainless steel	65	11	10	400	550	0.059
	2489	stainless steel	80	13	11,5	560	800	0.100
	2488	stainless steel	90	17	13	800	1050	0.143
	2490	stainless steel	110	24	15	960	1300	0.244
	72486	brass	50	7,5	6,5	80	100	0.030
	72483	brass	55	9	8	120	180	0.036
	72487	brass	65	11	10	200	250	0.056

N°	Part #	Ø mm	Length mm	A mm	B mm	W.L. Kg	B.L. Kg	Weight Kg
Delta hooks								
6	2345	8	80	13	40	720	1200	0.075
	2346	10	100	16	50	1120	2200	0.140

Carbine hooks



Mooring hooks

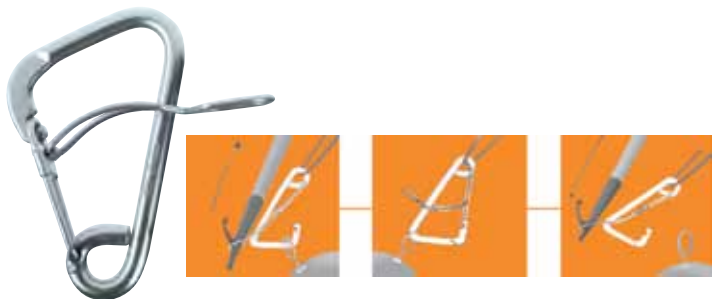
1



2



3



Benefits

- ▶ 2 models available: simple or automatic
- ▶ Can be used on most boat hooks
- ▶ Perfect for mooring buoys

N°	Part #	Ø mm	Length mm	A mm	B mm	Weight Kg
Simple mooring hooks (incl spare attachment fitting)						
1	92326	10	100	18	13	0.176
	92327	12	120	24	16	0.280
	92328	12	170	30	20	0.378

Spare attachment fitting for mooring hooks

2	72326	For part # 92326 - Weight: 0.025 Kg				
	72327	For parts # 92327 and 92328 - Weight: 0.035 Kg				

N°	Part #		Ø mm	Length mm	A mm	B mm	Weight Kg
Automatic mooring hooks							
3	2329	Automatic	12	170	30	20	0,380



Benefits

- ▶ Ensure safer anchoring by easing the tension on the chain
- ▶ Protects the boat from chafing
- ▶ Installed between two links
- ▶ The locking pin keeps it in position
- ▶ Made in 316L stainless steel
- ▶ For 8, 10 and 12 mm chain

N°	Part #		Length mm	Rope diameter mm	W.L. Kg	B.L. Kg	Weight Kg
Chain Grip							
4	2984	For 8 mm chain	82	16	480	1600	0.084
	2985	For 10 mm chain	103	20	720	2400	0.156
	2986	For 12 mm chain	122	23	960	3000	0.304

4



Chain grip

Rings and adjusters

Wichard stainless steel rings and adjusters are hot drop forged from 316L stainless steel in a single piece, not just bent and welded. Forging is a far superior process, because it maintains the structural integrity of the metal and increases working load limits in real world applications. Each part is polished and passivated to create a beautiful, yet durable surface that is highly resistant to corrosion. The "W" pentagon (plus 316L) mark stamped into each part is your Wichard quality assurance.

Part #	N°	Description	Stock Ø mm	Inside dimensions mm	B.L. Kg	Weight Kg
Ring and adjusters						
6782		Ring	5	21,5	2000	0.014
6783	1	Ring	5	33	2000	0.018
6784		Ring	7,3	45	4000	0.057
6711	2	D Ring	6	40	3000	0.029
6712		D Ring	6	50	3000	0.035
6721	3	D Ring	5	30	2000	0.019
6731		Triangle	4	30	1200	0.010
6732	4	Triangle	6	50	3000	0.037
6751	5	Triangle with bar	6	45	3000	0.058
6771	6	Double adjuster	4	42	1200	0.051
6772	7	Double adjuster	5-8	45	3000	0.078
"HR" D rings						
16504		D Ring	6	27,5	2700	0.026
16505	8	D Ring	8	35,5	4500	0.058
16506		D Ring	10	45,5	9000	0.120





Swivels



The Wichard swivels are used to link two parts which may have different rotation directions. Wichard offers a complete range of swivels forged either with HR stainless steel or grade 316L stainless steel.

I WICHARD OFFERS A COMPLETE RANGE OF SWIVELS:

- ▶ With clevis pin or pin with allen head.
- ▶ With large bail.
- ▶ For webbing applications.
- ▶ For mooring applications.



Swivels

SWIVELS « HR »



Benefits

- ▶ Full range of products
- ▶ Forged in 17.4 Ph HR stainless steel
- ▶ Outstanding working and breaking loads
- ▶ Ball bearing models available
- ▶ Multi-use on board

N°	Part #	Length mm	A mm	B mm	C mm	Ø D mm	W.L. Kg	B.L. Kg	Weight Kg
With clevis pin									
1	2464	70	14	21	11	7	1600	2800	0.087
	82464	70	same with ball bearings				1600	2800	0.087
	2465	105	19	31	18	11	3200	6000	0.280
	82465	105	same with ball bearings				3200	6000	0.280

Pin with allen head									
2	2364	70	14	21	11	8	1440	2800	0.084
	2365	105	19	31	18	10	3200	5500	0.265

Large bail									
3	2467	80	26	14			1600	3000	0.096
	82467	80	same with ball bearings				1600	3000	0.096
	2468	115	35	19			3200	6500	0.263
	82468	115	same with ball bearings				3200	6500	0.268
	2466	125	41	21			5200	8500	0.368

Webbing swivel									
4	2367	60	11	30			960	1500	0.580
	2368	80	14	40			1600	3200	0.110

Fork - Fork (SS cambered Plate)									
5	2461*	45	9	10	10	5	480	1000	0.026
	2462*	60	15	13	12	6	720	1400	0.052

* Parts # 2461 and 2462 are not "HR".

Self-locking									
6	2463	80	20	17	11	8	1440	2800	0.102
	2469	120	30	27	18	10	2000	5000	0.322

Allen head pin									
7	2363	80	20	17	11	8	1440	2800	0.099
	2369	120	31	27	18	10	2000	5000	0.312

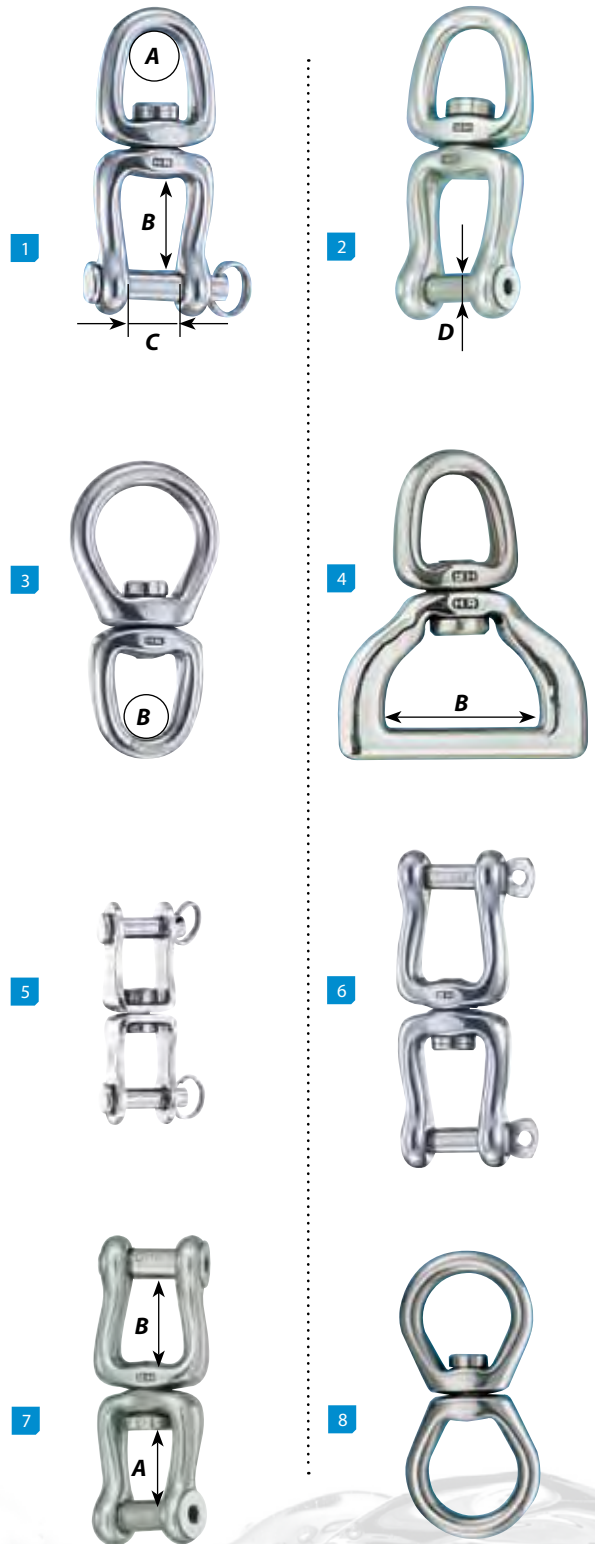
MOORING SWIVELS



Benefits

- ▶ Forged in specific grade of stainless steel
- ▶ Designed and made in France
- ▶ Excellent corrosion resistance
- ▶ To be used with shackles # 1206, 1207, 1246, 1247 and 1248

N°	Part #	Length mm	A mm	B mm	W.L. Kg	B.L. Kg	Weight kg
Mooring swivel							
8	2442	130	38	35	1760	4000	0.290
	2443	150	44	41	2960	5500	0.415





Shackles

Why choose a Wichard shackle?

- 1 Remarkably strong
- 2 Optimal size and weight
- 3 Proven resistance to corrosion
- 4 Quality manufacturing
- 5 A wide range of products

The quality of our products, and in particular our shackles, has proven its worth in many applications and especially in extreme sports.

For the Highline world record attempt in the Gorges of the Tarn in 2013, the organizers chose Wichard shackles.





A wide choice available:

Rope diameter: 4 mm to 24 mm

Breaking load: 700 kg to 35 tonnes



Various materials:

316L stainless steel, 17.4 PH (HR) stainless steel or titanium; it's your choice:

316L stainless steel: the right compromise between strength and resistance to corrosion.

17.4 PH (HR) stainless steel: for greater mechanical strength.

Titanium (Ta6V): when weight saving is the priority



Various functions:

Self-locking pin, captive pin, quick-release pin, allen head pin... Wichard makes different versions for different applications.



Various shapes

Our shackles come in various shapes to ensure they do a proper job, in the right conditions, and last for a long, long time.



A WIDE RANGE OF PRODUCTS

Wichard provides the most complete range of shackles on the market. You'll find the right Wichard shackle for your boat or other applications.



Captive pin shackle - no risk of losing the pin



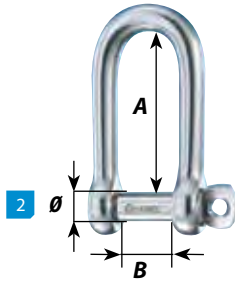
Self-locking pin - avoids accidental release due to vibrations

Self-locking shackles

« patented »



1



2



3



4



5



6



7



8

+ Benefits

- ▶ Large range of self-locking shackles
- ▶ Head of shackle pin locked into one of the notches
- ▶ Avoids accidental release due to vibrations
- ▶ Available in various versions to suit many applications
- ▶ Forged in 316L stainless steel
- ▶ Designed and made in France

N°	Part #	Ø mm	A mm	B mm	W.L. Kg	B.L. Kg	Weight Kg
Self-locking D shackles							
1	1201	4	13	8	320	700	0.007
	1202	5	16	10	400	1000	0.013
	1203	6	20	12	600	1600	0.022
	1204	8	26	16	1000	2700	0.055
	1205	10	33	20	1520	4300	0.098
	1206	12	39	24	2080	6000	0.193
	1207*	14	47	28	2400	8000	0.312

N°	Part #	Ø mm	A mm	B mm	W.L. Kg	B.L. Kg	Weight Kg
Self-locking long shackles							
2	1211	4	22	8	320	700	0.008
	1212	5	29	10	400	1000	0.017
	1213	6	33	12	600	1600	0.027
	1214	8	45	16	1000	2700	0.066
	1215	10	55	20	1520	4300	0.128

N°	Part #	Ø mm	A mm	B mm	W.L. Kg	B.L. Kg	Weight Kg
Self-locking twisted shackle							
3	1222	5	26	10	480	1100	0.016
	1223	6	30	12	600	1500	0.027
	1224	8	40	16	1000	3000	0.067
	1225	10	50	20	1440	4500	0.127

N°	Part #	Ø mm	A mm	B mm	W.L. Kg	B.L. Kg	Weight Kg
Self-locking bow shackles							
4	1241	4	18	8	320	700	0.009
	1242	5	23	10	400	1000	0.017
	1243	6	28	12	600	1500	0.030
	1244	8	37	16	1000	2700	0.068
	1245	10	47	20	1520	4300	0.137
	1246	12	55	24	2080	6000	0.233
	1247*	16	70	32	3200	10000	0.540
	1248*	20	80	40	4000	15000	1.056

N°	Part #	Ø mm	A mm	B mm	W.L. Kg	B.L. Kg	Weight Kg
Self-locking large opening shackle							
5	1262	5	36	20	256	1100	0.016
	1263	6	42	25,5	320	1500	0.027
	1264	8	57	32	768	2700	0.067
	1265	10	72	40	1280	4000	0.127

N°	Part #	Ø mm	A mm	B mm	W.L. Kg	B.L. Kg	Weight Kg
Allen head pin shackles «D»							
The head of the pin does not stick out from the shackle's body, thus eliminating any risk of snagging.							
6	1303	6	19	12	600	1600	0.022
	1304	8	26	16	960	2700	0.053
	1305	10	33	20	1440	4300	0.099
	1306	12	39	24	2080	5500	0.187
	1363	6	42	25,5	320	1500	0.044
<i>(specially designed for batten cars)</i>							

N°	Part #	Ø mm	A mm	B mm	W.L. Kg	B.L. Kg	Weight Kg
Allen head pin shackles «bow»							
The head of the pin does not stick out from the shackle's body, thus eliminating any risk of snagging.							
7	1343	6	27	12	600	1500	0.029
	1344	8	37	16	960	2700	0.067
	1345	10	47	20	1440	4300	0.133
	1346	12	55	24	2080	6000	0.222

N°	Part #	Ø mm	A mm	B mm	W.L. Kg	B.L. Kg	Weight Kg
Tack shackles							
These shackles are specially designed for adjustment to the width of goosenecks.							
8	1233	6	45	16	520	1500	0.048
	1234	8	59	21	800	2300	0.110

N°	Part #	Ø mm	A mm	B mm	C mm	W.L. Kg	B.L. Kg	Weight Kg
Captive pin «D» shackles								
1	1401	4	13	8	5	320	1000	0.009
	1402	5	16	10	6	480	1500	0.016
	1403	6	20	12	7	680	2200	0.028
	1404	8	26	16	9	1000	3600	0.061
	1405	10	33	20	11	1520	5200	0.114
	1406	12	39	24	13	2080	7000	0.188

N°	Part #	Ø mm	A mm	B mm	C mm	W.L. Kg	B.L. Kg	Weight Kg
Captive long «D» shackles								
2	1411	4	31	8	5	320	1000	0.012
	1412	5	39	10	6	480	1500	0.024
	1413	6	46	12	7	680	2200	0.040
	1414	8	62	16	9	1000	3600	0.092
	1415	10	78	20	11	1520	5200	0.176

N°	Part #	Ø mm	A mm	B mm	C mm	W.L. Kg	B.L. Kg	Weight Kg
Captive twisted shackles								
3	1422	5	37	10	6	480	1500	0.023
	1423	6	44	12	7	600	2100	0.039
	1424	8	59	16	9	1000	3700	0.090
	1425	10	74	20	11	1520	5200	0.170

N°	Part #	Ø mm	A mm	B mm	C mm	W.L. Kg	B.L. Kg	Weight Kg
Captive pin bow shackles								
4	1441	4	18	8	5	320	1000	0.010
	1442	5	23	10	6	480	1500	0.019
	1443	6	27	12	7	600	2200	0.033
	1444	8	37	16	9	1000	3700	0.075
	1445	10	46	20	11	1520	5200	0.139



Benefits

- ▶ Patented design
- ▶ Opening by half turn
- ▶ Easy to install with one hand
- ▶ Forged in 316L stainless steel
- ▶ Designed and made in France

N°	Part #	Ø mm	A mm	B mm	D mm	W.L. Kg	B.L. Kg	Weight Kg
Key pin shackles								
5	1432	5	37	13		400	1000	0.031
	1433	6	45	16		520	1500	0.048
	1434	8	59	21		800	2300	0.121

N°	Part #	Ø mm	A mm	B mm	D mm	W.L. Kg	B.L. Kg	Weight Kg
Key pin shackles with bar								
6	81432	5	37	13	12	400	1200	0.031
	81433	6	45	16	15	520	1700	0.052
	81434	8	59	21	20	800	2500	0.123



Benefits

- ▶ Forged in 316L stainless steel
- ▶ Allows splicing on head of shackle
- ▶ No additional stainless steel cringles
- ▶ Designed and made in France

N°	Part #	Ø mm	A mm	B mm	Ø rope max. mm	W.L. Kg	B.L. Kg	Weight Kg
Captive pin								
7	1494	8	41	16	12	1000	3000	0.078
	1495	10	51	20	16	1520	5000	0.146

N°	Part #	Ø mm	A mm	B mm	Ø rope max. mm	W.L. Kg	B.L. Kg	Weight Kg
Allen head pin								
8	1394	8	41	16	12	1000	3000	0.076
	1395	10	51	20	16	1520	5000	0.142

WL: working load - BL: breaking load

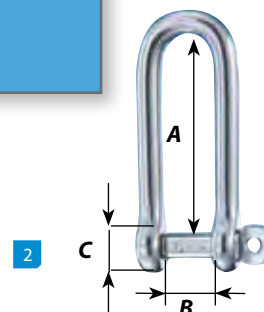
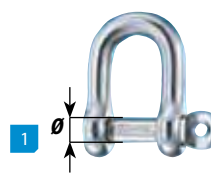
Captive pin shackles

« patented »



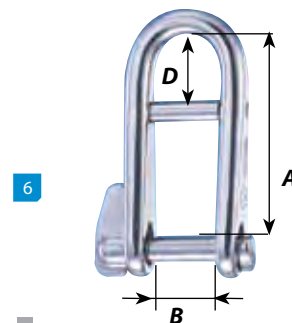
Benefits

- ▶ Self-locking pin cannot be dropped when opened
- ▶ No risk of losing the pin
- ▶ Wide range to meet all needs
- ▶ Forged in 316L stainless steel
- ▶ Designed and made in France



Key pin shackles

« patented »



Thimble shackles

« patented »

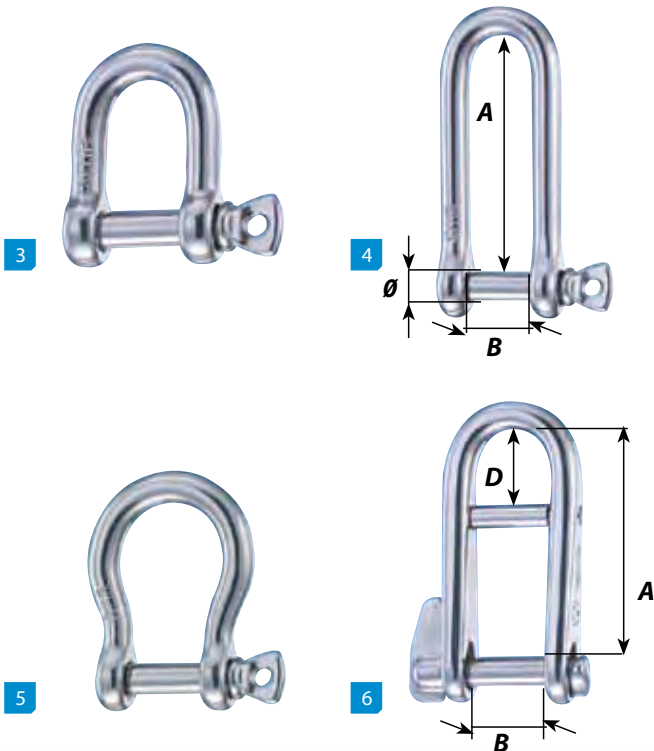


Ti shackles



1 titanium shackle is up to 45% lighter than a standard 316L shackle.

HR shackles



1 shackle forged in HR 17.4 Ph stainless steel can be up to 60% more resistant than a shackle in 316L stainless steel.

TITANIUM SHACKLES (Ti)



Benefits

- ▶ Forged in Titanium TA6V
- ▶ Important weight saving: 40%
- ▶ Available in D and bow models
- ▶ Designed and made in France

N°	Part #	Ø mm	A mm	B mm	WL Kg	BL Kg	Weight Kg
Titanium shackles							
1	51203	6	20	12	880	1700	0.014
	51204	8	26	16	1440	3000	0.034
Titanium bow shackles							
2	51245	10	47	20	2160	6000	0.082
	51246	12	55	24	2800	8000	0.136

HIGH RESISTANCE SHACKLES



Benefits

- ▶ Forged in HR (High resistance) stainless steel
- ▶ Designed and made in France
- ▶ Outstanding working loads
- ▶ Available in D, long, bow and key pin models

N°	Part #	Ø mm	A mm	B mm	WL Kg	BL Kg	Weight Kg	
HR «D» shackles								
3	11203	6	20	12	1040	2300	0.024	
	11204	8	26	16	1760	4100	0.052	
	11205	10	33	20	2640	6000	0.102	
	11206	12	39	24	3600	10000	0.192	
	11207	14	49	28	5120	12000	0.304	
	11208	16	56	32	6800	19000	0.464	
	11209	20	70	40	8800	28000	0.860	
HR long shackles								
4	11215	10	78	20	2640	6000	0.164	
HR bow shackles								
5	11244	8	37	16	1760	4100	0.068	
	11245	10	47	20	2640	6000	0.136	
	11246	12	55	24	3600	10000	0.224	
	11240	14	63	28	5120	12000	0.364	
	11247	16	70	32	6800	19000	0.526	
	11248	20	80	40	8800	28000	1.011	
	11249	24	108	48	12800	35000	1.706	
HR Key pin shackles with bar								
6	91432	5	37	13	12	480	1500	0.031
	91433	6	45	16	15	600	2200	0.053
	91434	8	59	21	20	960	3500	0.123

THE SOFT SHACKLE FOR ALL!



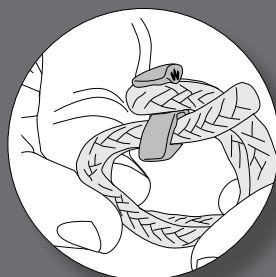
Benefits

- ▶ No knowledge of ropework required
- ▶ Replaces shackles and snap hooks
- ▶ Easy to fit and easy to open
- ▶ Remarkably light and strong
- ▶ Re-usable
- ▶ 3 sizes available
- ▶ Materials: stainless steel and Dyneema SK 75

N°	Part #	B.L. Kg	Ø loop mm	Loop Lenght mm	Weight Kg
SoftLink 3.0 - soft shackle					
1	21223	2600	3	70	0.012
SoftLink 4.0 - soft shackle					
2	21224	3600	4	80	0.023
SoftLink 5.0 - soft shackle					
3	21225	6000	5	90	0.047



For the same strength, SoftLink is 4 or 5 times lighter than a 316L stainless steel shackle.



WL: working load - BL: breaking load

SoftLink

Soft Shackle



SoftLink is a soft shackle developed by Wichard for recreational sailors looking for performance and ease of use. Thanks to its stainless steel connector, SoftLink can be used without any particular knowledge of ropework. It can be fitted and removed with ease, after being tensioned. SoftLink easily replaces all types of shackles and snap hooks while offering lightness, strength and, therefore, great performance. Even if the loop has to be changed, the stainless steel connector can be re-used.

1



SoftLink 3.0

2



SoftLink 4.0

3



SoftLink 5.0



Blocks

! A COMPLETE RANGE OF BLOCKS:





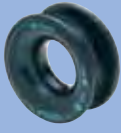

Our blocks, wholly designed and manufactured in our factories, feature high-performance materials and are subjected to rigorous manufacturing and quality assurance processes. For whatever type of block, ball bearing, plain bearing, the shape of the sheave suits all modern ropes. They are also very easy to install due to the various types of fastening options.

! WICHARD OFFERS A COMPREHENSIVE RANGE OF BLOCKS INCLUDING:

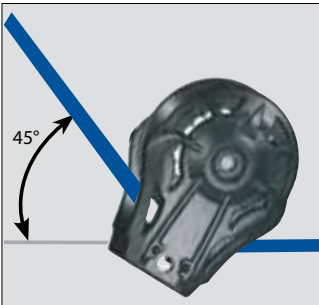
- ▶ Soft blocks and rings
- ▶ Ball bearing and plain bearing blocks
- ▶ Ratchet blocks
- ▶ Snatch blocks
- ▶ Stainless steel blocks
- ▶ Deck accessories
- ▶ Roller blocks



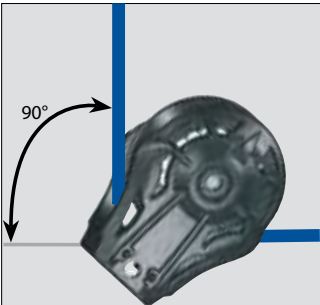
Selection guide – blocks

	Plain bearing blocks	Ball bearing blocks	Roller blocks	MXL: Soft blocks	FRX: Rings	MX: Block
						
LOAD TYPES						
Dynamic operation and light load						
Static operation and heavy load						
Dynamic operation and heavy load						
EXAMPLES OF USE						

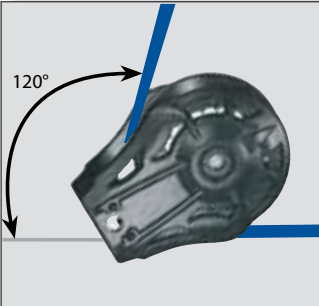
Mainsail sheet		✓	✓			
Mainsail travelers		✓	✓			
Spinnaker sheets		✓	✓			
Mastfoot block	✓			✓	✓	✓
Masthead block	✓					
Boom vang	✓			✓		✓
Downhaul	✓			✓		✓
Backstay	✓		✓		✓	
Mainsail foot	✓			✓		✓
Reefing point	✓			✓		✓
Cunningham	✓			✓		✓
Barberhauler		✓		✓	✓	
Inhauler				✓	✓	
Spinnaker tack point		✓	✓	✓	✓	



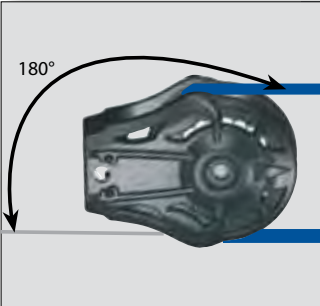
For a 45° angle: The load factor will be 75%. A load of 100 Kg on the line will represent a load of 75 Kg on the block.



For a 90° angle: The load factor will be 140%. A load of 100 Kg on the line will represent a load of 140 Kg on the block.



For a 120° angle: The load factor will be 180%. A load of 100 Kg on the line will represent a load of 180 Kg on the block.



For a 180° angle: The load factor will be 200%. A load of 100 Kg on the line will represent a load of 200 Kg on the block.

Deflection angle	Load factor
180°	200%
160°	197%
140°	187%
120°	180%
100°	153%
90°	140%
80°	129%
60°	100%
45°	75%
20°	35%
0°	0%



IMXL: Soft Block

When used in conjunction with heavy loads (mastfoot block, spinnaker tack point), normal friction blocks are heavy and take up space. Following on from our success with the MX halyard shackle, Wichard is proud to present the MXL: a new soft block solution for ropes. Accessible to all, the MXL is strong, reliable, light and fits anywhere.

▶ **EASY FITTING:**

MXL requires no knowledge of ropework and no tools for fitting.

▶ **STRENGTH, RELIABILITY, AND LIGHT WEIGHT:**

MXL offers an unbeatable strength to weight ratio. For example, MXL is up to 3 times stronger than a standard block and yet weighs 2 or 3 times less.

▶ **FLEXIBILITY**

Two fastening methods mean MXL can be installed anywhere whatever the alignment of the anchoring point. MXL easily integrates any deck gear plan.

▶ **RELIABLE AND MAINTENANCE-FREE**

An all-in-one design with no moving parts (no sheave), MXL enjoys greater reliability and a longer lifespan. MXL requires no maintenance.

▶ **SNATCH BLOCK CAPABILITY**

In certain cases the MXL can be used like a snatch block by attaching it rapidly to an anchor point (padeyes, etc.).



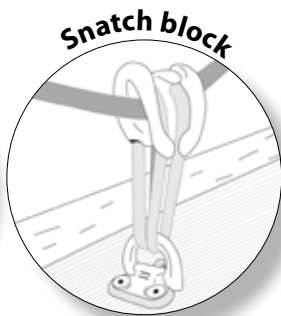
Benefits

- ▶ 3 models available for 8 mm to 14 mm diameter ropes
- ▶ 2 fastening systems
- ▶ Remarkably strong and light
- ▶ Compact
- ▶ Delivered with 1 Dyneema loop optimized for this type of application
- ▶ Materials: hard anodized aluminium for greater lifespan

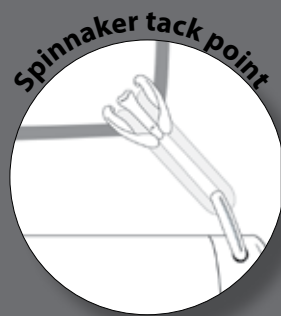
N°	Part #	max rope size Ø mm	nominal loop Ø mm	W.L. Kg	B.L. Kg	Weight Kg
MXL6: for max rope size 8 mm						
1	20603	8	3	900	1600	0,020
MXL8: for max rope size 10 mm						
2	20804	10	4	1400	2600	0,040
MXL10: for max rope size 14 mm						
3	21005	14	5	1800	3200	0,082



Mastfoot



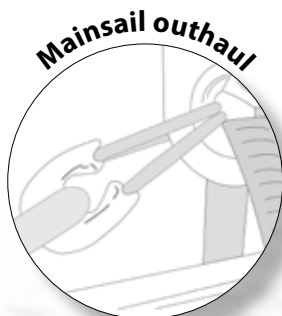
Snatch block



Spinnaker tack point



Genoa track



Mainsail outhaul



Barberhauler



Purchase



Scan the QR code with your smart phone to download the MXL movie.



Comparison MXL versus competitors' block

MXL 8

Working load: 1400 Kg
Weight: 0.040 Kg
Height: 45 mm
Rope dia: 10 mm

Competitors' block

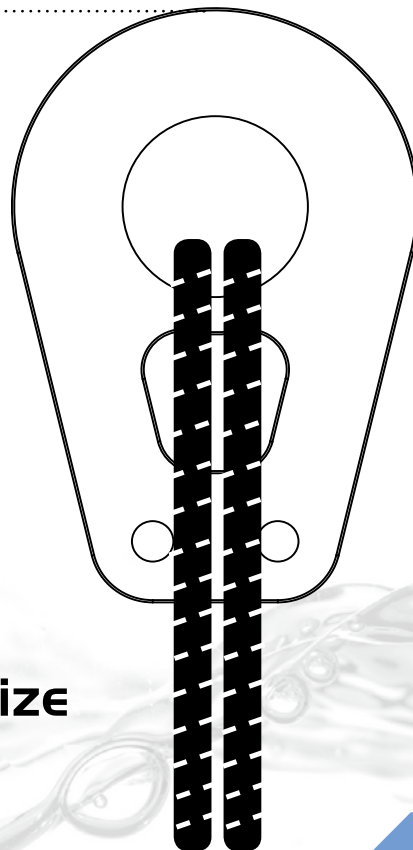
Working load: 1100 Kg
Weight: 0.095 Kg
Height: 75 mm
Rope dia: 12 mm

+ ADVANTAGES

- ▶ **Weight: 60% lighter**
- ▶ **Dimensions: 40% smaller**
- ▶ **Working load: 30% stronger**



75 mm



Actual size

FRX:RINGS



Efficient and light

FRX Wichard thimbles are efficient, light and reliable. Very strong, they can be used for heavy loads and semi-static lines.

FRX thimbles are designed to make your lines run smoothly with minimum wear. They are hard anodized (50 microns) for a longer lifespan.

Applications

Mast-foot block, barber-hauler, in hauler, loop, thimble, lazy jack, running backstay, tackle, and more.

+ Benefits

- ▶ 5 sizes available
- ▶ Very strong
- ▶ Very light
- ▶ Diverse applications: mast-foot block, in hauler, barber-hauler and more.
- ▶ Suitable for all types of rope (Dyneema®, etc.)
- ▶ Materials: hard anodized aluminium for greater lifespan

N°	Part #	ØA mm	ØB mm	C mm	ØD mm	WL Kg	Weight Kg
FRX6							
1	20705	5.5	7	9	18	400	0.002
FRX10							
2	21008	8	10	12	25	800	0.005
FRX15							
3	21510	10	15	15	35	1600	0.012
FRX20							
4	22014	14	20	21	47	3200	0.031
FRX25							
5	22517	17	25	25	60	5000	0.057

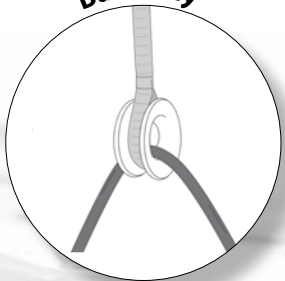
Lazy jack



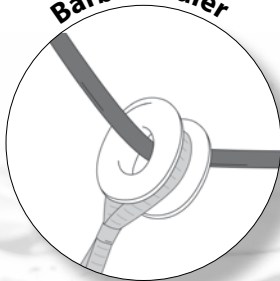
Purchase



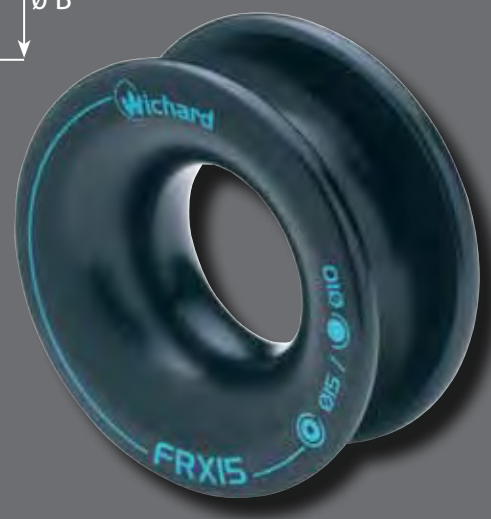
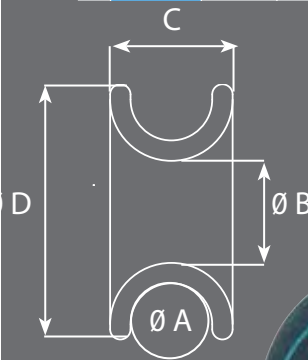
Backstay



Barberhauler

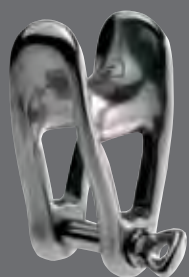


Loop



MX:
Standard pin version

MX:
Allen key pin version



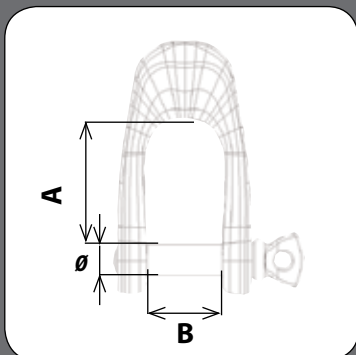
MX6



MX8



MX10



IMX: BLOCK

Benefits



► 2 versions available

- Standard pin version: 3 models
- Allen key pin version: 3 models
- Perfect for taking on the heavy loads of flying sail furler terminals and 2:1 purchase mainsail halyards, mastfoot deflection
- Outstanding working and breaking loads
- Optimised dimensions and weight
- Easy to install and use
- Reliable and maintenance free
- Helps to prevent excessive rope wear
- 3 sizes available: For rope sizes from 8 to 14 mm
- Fully forged in High Resistance stainless steel
- Designed and made in France

MX: standard pin version

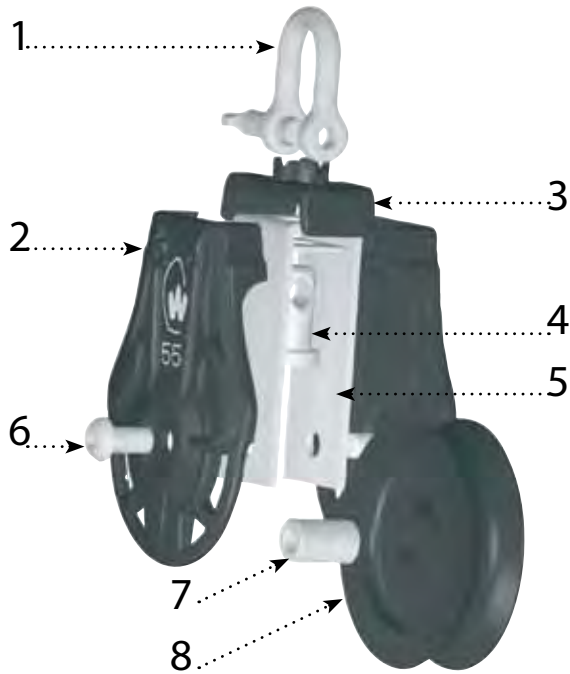
This version is used for static lines, especially at the end of a flying sail furler (e.g. tackle block), or in the case of a mainsail halyard tackle (2:1).

MX: allen key pin version

This version of the MX has been specifically designed for mast-foot fairleads, running backstays and all other applications that are not handled frequently.

N°	Part # Standard pin	Part # Allen key pin	Length mm	Width mm	Ø mm	A mm	B mm	W.L. Kg	B.L. Kg	Weight Kg
MX6: for max rope size 8 mm										
1	11503	11513	49	24	6	26	13	1040	2300	0,044
MX8: for max rope size 10 mm										
2	11504	11514	58	32	8	28	18	1760	4100	0,096
MX10: for max rope size 14 mm										
3	11505	11515	71	40	10	34	22	2640	6000	0,186

Plain bearing blocks



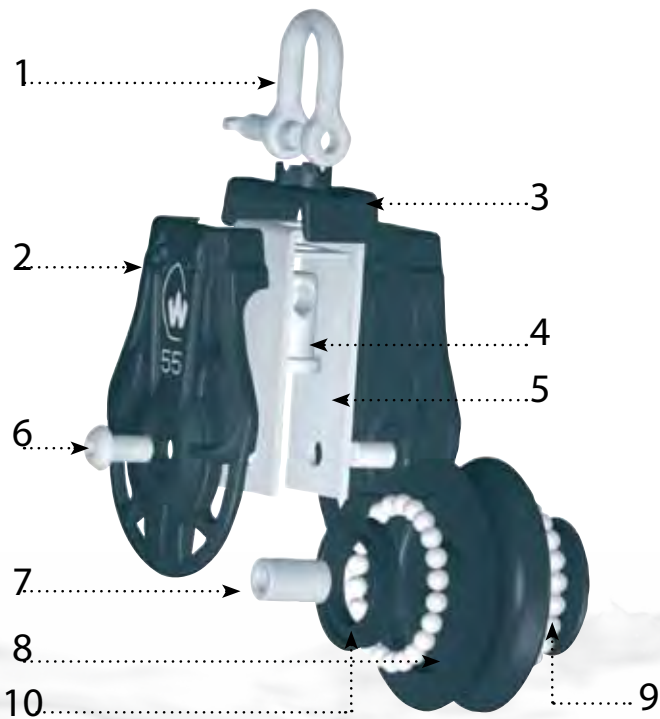
+ COMPONENTS: PLAIN BEARING BLOCKS

- 1: Forged stainless-steel Wichard shackle Large choice of fastenings available: ring, snap hook, etc.
- 2: Protective cheeks increase sheave lifespan
- 3: Universal head that can be locked in position
- 4: Swivel for rotating and changing fastenings
- 5: Stainless steel load straps
- 6: Stainless-steel pin
- 7: Stainless-steel bush ensures rotation under heavy loads
- 8: Composite sheave
- 9: Captive Delrin® ball bearings
- 10: Bearing cap

+ Benefits

- ▶ For dinghies and catamaran applications
- ▶ Large range
- ▶ POM sheave
- ▶ Wide choice of fastenings
- ▶ Load bearing stainless steel shaft
- ▶ For following rope diameters: 4, 6 and 8 mm

Ball bearing blocks



+ COMPONENTS: BALL BEARING BLOCKS

- 1: Forged stainless-steel Wichard shackle Large choice of fastenings available: ring, snap hook, etc.
- 2: Protective cheeks increase sheave lifespan
- 3: Universal head that can be locked in position
- 4: Swivel for rotating and changing fastenings
- 5: Stainless steel load straps
- 6: Stainless-steel pin
- 7: Stainless-steel bush ensures rotation under heavy loads
- 8: Composite sheave
- 9: Captive Delrin® ball bearings
- 10: Bearing cap

+ Benefits

- ▶ For dinghies and small boats
- ▶ Large range
- ▶ Available in single, double and triple models
- ▶ Delrin® ball bearings
- ▶ POM sheave
- ▶ Wide choice of fastenings
- ▶ Load bearing stainless steel shaft
- ▶ For following rope diameters: 4, 6 and 8 mm

Blocks plain bearing and ball bearing

RÉA 12, 18, 25

SHEAVE DIA 12 (stainless steel sheave) mini block - rope size 4 mm

N°	Part plain bear.	Description	Height mm	Width mm	Thick. mm	W.L. Kg	B.L. Kg	Weight Kg
1	60600	Fixed eye	33	16	11	120	300	0.011

RÉA 18 pour cordage de 4 à 6 mm

N°	Part plain bear.	Part ball bear.	Description	Height mm	Width mm	Thick. mm	W.L. Kg	B.L. Kg	Weight Kg
Single blocks									
3	60113	70113	Fixed eye	35	18	14	240	500	0.011
4	60114	70114	Fixed eye with becket	45	18	14	240	500	0.015
6	60120	70120	Cheek block	36	18	14	240	500	0.010

Double blocks

8	60213	70213	Fixed eye	45	18	28	320	700	0.041
9	60214	70214	Fixed eye with becket	55	18	28	320	700	0.044

Triple blocks

10	60313	70313	Fixed eye	45	18	42	480	900	0.055
11	60314	70314	Fixed eye with becket	55	18	42	480	900	0.057

RÉA 25 pour cordage de 6 à 8 mm

N°	Part plain bear.	Part ball bear.	Description	Height mm	Width mm	Thick. mm	W.L. Kg	B.L. Kg	Weight Kg
Single blocks									
2	61105	71105	Swivel head	64	25	18	200	500	0.027
3	61113	71113	Fixed eye	49	25	18	320	600	0.019
4	61114	71114	Fixed eye with becket	62	25	18	320	600	0.024
5	61353	71353	Opposite in line	75	25	18	320	600	0.037
6	61120	71120	Cheek block	52	25	18	320	600	0.021
7	61121	71121	Upright lead block	39	32	42	320	600	0.032

Double blocks

8	61213	71213	Fixed eye	64	25	34	400	800	0.059
9	61214	71214	Fixed eye with becket	78	25	34	400	800	0.062

Triple blocks

10	61313	71313	Fixed eye	60	25	51	480	1000	0.081
11	61314	71314	Fixed eye with becket	74	25	51	480	1000	0.087

WL: working load - BL: breaking load



Blocks plain bearing and ball bearing

SHEAVE DIA 35



+ Benefits

- ▶ Large range
- ▶ Universal head allows wide choice of fastenings
- ▶ High resistance under high loads
- ▶ Modern design
- ▶ Sheave protected by cheeks
- ▶ Load bearing stainless steel shaft
- ▶ Adjustable cam cleats
- ▶ For following rope diameters: 8, 9, 10, 12 and 14 mm

SHEAVE DIA 35

rope size 8 to 9 mm, forged shackle 5 mm

N°	Part plain bear.	Part ball bear.	Description	Height mm	Width mm	Thick. mm	W.L. Kg	B.L. Kg	Weight Kg
Single blocks									
1	62105	72105	Swivel head	84	37	23	320	900	0.071
2	62106	72106	Swivel head with becket	101	37	23	320	900	0.079
3	62108	72108	Swivel head with becket and cam	101	64	45	200	900	0.118
4	62117	72117	Fixed head with clevis	72	37	23	320	500	0.055
5	62113	72113	Fixed eye	65	37	23	320	900	0.051
6	62120	72120	Cheek block, bolts 6 mm dia	52	37	20	320	900	0.044
9	62121	72121	Upright block	42	46	40	320	900	0.053
10	62122	-	Reefing block	60	58	40	320	900	0.103
7	62131	72131	Swivel snap hook	102	37	23	200	400	0.076
Double blocks									
11	62205	72205	Swivel head	84	37	40	480	900	0.119
12	62206	72206	Swivel head with becket	101	37	40	480	900	0.128
Triple blocks									
14	62305	72305	Swivel head	84	37	58	560	1000	0.149
15	62306	72306	Swivel head with becket	101	37	58	560	1000	0.157
16	62308	72308	Swivel head with becket and cam	101	66	60	200	1000	0.208
Fiddle blocks									
17	62405	72405	Swivel head	107	37	23	320	900	0.086
19	62408	72408	Swivel head with becket and cam	124	64	45	200	900	0.138

WL: working load - BL: breaking load

Blocks plain bearing and ball bearing

SHEAVE DIA 45



SHEAVE DIA 45

rope size 10 mm, forged shackle 5 mm

N°	Part plain bear.	Part ball bear.	Description	Height mm	Width mm	Thick. mm	W.L. Kg	B.L. Kg	Weight Kg
Single blocks									
1	63105	73105	Swivel head	97	49	26	400	900	0.105
2	63106	73106	Swivel head with becket	117	49	26	400	900	0.120
3	63108	73108	Swivel head with becket and cam	117	86	61	280	900	0.211
4	63117	73117	Fixed head with clevis	87	49	26	400	700	0.089
5	63113	73113	Fixed eye	78	49	26	400	900	0.083
8	63118	73118	Webbing D ring	93	49	26	400	900	0.108
6	63120	73120	Cheek block, bolts 6 mm dia	65	49	23	400	900	0.073

Double blocks									
11	63205	73205	Swivel head	97	49	46	480	1000	0.184
12	63206	73206	Swivel head with becket	117	49	46	480	1000	0.199
13	63207	73207	Swivel snap shackle	110	49	46	480	1000	0.208

Triple blocks									
14	63305	73305	Swivel head	97	49	67	560	1000	0.243
15	63306	73306	Swivel head with becket	117	49	67	560	1000	0.257
16	63308	73308	Swivel head with becket and cam	117	87	72	360	1000	0.357

Fiddle blocks									
17	63405	73405	Swivel head	130	49	26	560	1000	0.147
18	63406	73406	Swivel head with becket	150	49	26	560	1000	0.156
20	63407	73407	Swivel head with cam	130	86	61	360	1000	0.240
19	63408	73408	Swivel head with becket and cam	150	86	61	360	1000	0.249
21	63435	73435	Swivel snap shackle	143	49	26	560	1000	0.171
22	63438	73438	Swivelling snap shackle with becket and cam	163	86	61	360	1000	0.273



Blocks plain bearing and ball bearing

SHEAVE DIA 55



1



2



3



4



5



6



7



8



9



10



11



12



Benefits

- ▶ Large range
- ▶ Universal head allows wide choice of fastenings
- ▶ High resistance under high loads
- ▶ Modern design
- ▶ Sheave protected by cheeks
- ▶ Load bearing stainless steel shaft
- ▶ Adjustable cam cleats
- ▶ For following rope diameters: 8, 9, 10, 12 and 14 mm

SHEAVE DIA 55

rope size 12 mm, forged shackle 6 mm

N°	Part plain bear.	Part ball bear.	Description	Height mm	Width mm	Thick. mm	W.L. Kg	B.L. Kg	Weight Kg
Single blocks									
1	64105	74105	Swivel head	119	63	29	720	1500	0.179
2	64106	74106	Swivel head with becket	144	63	29	720	1500	0.200
3	64108	74108	Swivel head with becket and cam	144	95	61	480	1500	0.302
8	64109	74109	Swivel with clevis	113	63	29	640	1000	0.159
9	64110	74110	Swivel with clevis and becket	138	63	29	640	1000	0.185
4	64117	74117	Fixed head with clevis	107	63	29	720	1200	0.157
5	64113	74113	Fixed eye	98	63	29	720	1500	0.138
6	64118	74118	Webbing D ring	110	63	29	720	1500	0.166
7	64130	74130	Swivelling snap shackle	126	63	29	720	1500	0.184
10	64120	74120	Cheek block, bolts 6 mm dia	81	63	26	720	1500	0.123
Double blocks									
11	64205	74205	Swivel head	119	63	52	800	1500	0.315
12	64206	74206	Swivel head with becket	144	63	52	800	1500	0.337
Triple blocks									
13	64305	74305	Swivel head	119	63	75	880	1500	0.410
14	64306	74306	Swivel head with becket	144	63	75	880	1500	0.429
15	64308	74308	Swivel head with becket and cam	144	97	81	480	1500	0.550
Fiddle blocks									
16	64405	74405	Swivel head	160	63	29	800	1500	0.247
17	64406	74406	Swivel head with becket	186	63	29	800	1500	0.270
18	64408	74408	Swivel head with becket and cam	186	95	61	480	1500	0.374
19	64435	74435	Swivelling snap shackle	167	63	29	800	1500	0.253
20	64438	74438	Swivelling snap shackle with becket and cam	193	95	61	480	1500	0.380

WL: working load - BL: breaking load

Blocks plain bearing and ball bearing

SHEAVE DIA 70



SHEAVE DIA 70 rope size 14 mm, forged shackle 8 mm

N°	Part plain bear.	Part ball bear.	Description	Height mm	Width mm	Thick. mm	W.L. Kg	B.L. Kg	Weight Kg
Single blocks									
1	65105	75105	Swivel head	153	80	39	1200	2700	0.367
2	65106	75106	Swivel head with becket	183	80	39	1200	2700	0.416
3	65108	75108	Swivel head with becket and cam	183	120	80	480	2700	0.599
8	65109	75109	Swivel with clevis	137	80	39	800	1500	0.357
4	65117	75117	Fixed head with clevis	132	80	39	1200	2000	0.320
7	65130	75130	Swivelling snap shackle	162	80	39	1200	2700	0.395
10	65120	75120	Cheek block, bolts 8 mm dia	103	80	34	1200	2700	0.294

Double blocks									
11	65205	75205	Swivel head	153	80	68	1440	2700	0.653
12	65206	75206	Swivel head with becket	183	80	68	1440	2700	0.714

Triple blocks									
13	65305	75305	Swivel head	153	80	97	1600	2700	0.895
14	65306	75306	Swivel head with becket	183	80	97	1600	2700	0.941
15	65308	75308	Swivel head with becket and cam	183	123	101	480	2700	1.139

Fiddle blocks									
16	65405	75405	Swivel head	204	80	39	1440	2700	0.518
17	65406	75406	Swivel head with becket	236	80	39	1440	2700	0.570
18	65408	75408	Swivel head with becket and cam	236	120	80	480	2700	0.748
19	65435	75435	Swivelling snap shackle	213	80	39	1440	2700	0.570
20	65438	75438	Swivelling snap shackle with becket and cam	245	120	80	480	2700	0.790

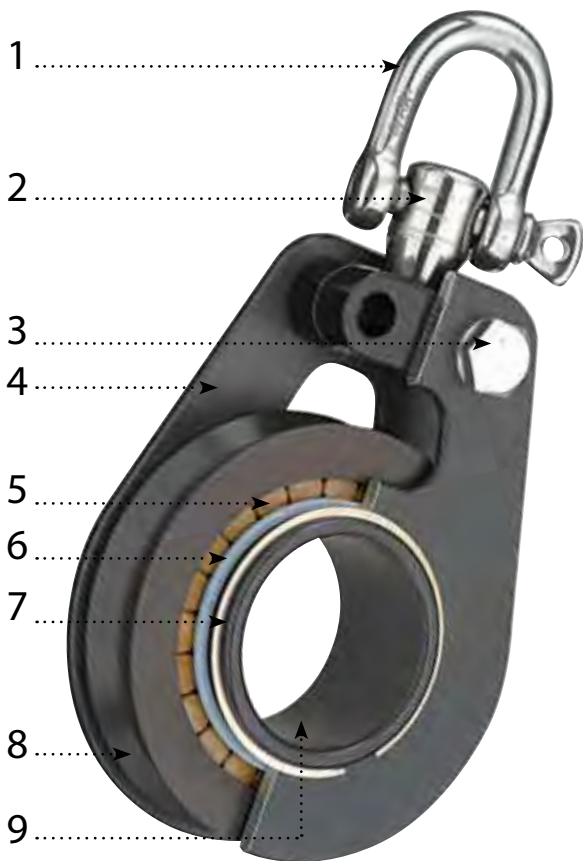
WL: working load - BL: breaking load

ROLLER BLOCKS



«Wichard roller bearing blocks are nothing less than efficient! We are currently using them on our trips in the Southern Ocean and, whether fitted to sheets or halyards, they perform exactly as they should.»

Stephen Witkins, skipper of the high-latitude yacht X-plore



Wichard roller blocks

Wichard roller bearing blocks are designed to be simple, reliable and long-lasting. They are ideal for dynamic running rigging that is subject to heavy loads (mainsail tackle, mastfoot block, etc.).

They are available in 2 versions: the standard version with Delrin® rollers and the HD version (Torlon® rollers, forged HD shackle). Both versions available in several sizes, for 4 mm to 30 mm diameter ropes.

For more technical information, please contact us.



benefits

Components: roller bearing blocks

- 1: Forged stainless-steel shackle (HR s-steel for HR models).
- 2: Stainless-steel swivel head
- 3: 316L stainless-steel bolt
- 4: Aluminium cheeks (hard coat anodization)
- 5: Delrin® roller bearings (Torlon® for HR models).
- 6: Centring bush for lateral loads
- 7: Stainless-steel circlip
- 8: Hard anodized aluminium sheave (+ Teflon for HR models).
- 9: Hard anodized aluminium hollow pin (+ Teflon for HR models).

Ratchet blocks



Benefits

- ▶ Different models available
- ▶ Anodised aluminium sheave
- ▶ Delrin® ball bearings
- ▶ Engagement and release by the slide button

SHEAVE DIA 55

rope size 12 mm, forged shackle 6 mm

N°	Part #	Description	Height mm	Width mm	Thick. mm	W.L. Kg	B.L. Kg	Weight Kg
Single blocks								
1	84101	Swivel head	125	59	36	720	1500	0.184
2	84103	Swivel head with becket and cam	147	105	36	480	1500	0.329

Triple blocks								
3	84303	Swivel head with becket and cam	147	105	80	480	1500	0.576



SNATCH BLOCKS

Fitted to a pad eye or toe rail Wichard snatch blocks are highly useful for taking up a rope that is already reeved. The elastomer moulded cheeks make them shock and scratch-resistant. Each one is fitted with a snap shackle which allows them to move freely in any position. With its forged high-resistance stainless steel arm, the closing system is very strong. It can be opened very easily by pulling on the central plunger pin, as you would do with a normal snap shackle.

N°	Part #	Description	Height mm	Width mm	Thick. mm	W.L. Kg	B.L. Kg	Weight Kg
Snatch blocks								
1	34500	Max. 12 mm diam. rope	145	59	43	720	1300	0.254
1	35500	Max. 18 mm diam. rope	155	59	49	1200	2500	0.414

MXL: Soft Block

- ▶ Can be used like a snatch block: clap it on to a line under load, a short sheet, replace a broken block
- ▶ 2 fastening methods with Dyneema® loop supplied as standard
- ▶ Excellent weight/strength ratio
- ▶ Easy to install (no ropework, no tools)

Learn more on page 32

Snatch blocks



1

2



Stainless steel blocks



Benefits

- ▶ Large range covering all applications
- ▶ Lightness, reliability and good performance
- ▶ Wide choice of fastenings
- ▶ Perfect for dinghies and cruising yachts

N°	Part #	Description	Height mm	Width mm	Thick. mm	W.L. Kg	B.L. Kg	Weight Kg
Sheave dia 18 mm - rope size 6 to 8 mm								
1	30018	Single block	45	21	11	200	500	0.016
2	30118	Single with becket	57	31	11	200	500	0.022
Sheave dia 19 mm - rope size 6 mm								
3	30019	Single with eye	38	19	8	200	500	0.012
Sheave dia 24 mm - rope size 4 to 6 mm								
4	30024	Single with shackle	56	25	15	200	500	0.021
5	31124	Single block	42	25	15	200	500	0.014
6	30124	Single with becket and shackle	70	25	15	200	500	0.026
7	31224	Single with becket	56	25	15	200	500	0.014
8	30224	Single with V cleat, becket and shackle	70	33	15	200	500	0.034
9	30324	Single with V cleat and becket	56	33	15	200	500	0.028
10	30424	Double with shackle	56	25	19	200	500	0.030
11	30524	Double with becket and shackle	70	25	19	200	500	0.037
12	30624	Double with V cleat, becket and shackle	70	33	19	200	500	0.047
13	30724	Triple with shackle	56	25	27	200	500	0.040
14	30824	Triple with becket and shackle	70	25	27	200	500	0.060
15	30924	Triple with V cleat, becket and shackle	70	33	27	200	500	0.060
Sheave dia 25 mm - rope size 8 to 10mm								
16	30025	For 25 mm stanchion	65	53	21	280	400	0.049
17	30125	For 25 mm stanchion, pivoting	95	53	21	280	400	0.070
18	30425	Swivel with clevis	59	25	21	200	300	0.036
Swivel shackle blocks								
19	30225	Flat 25 mm dia sheave	50	50	32	240	600	0.036
	30325	Curved 25 mm dia sheave	50	50	40	240	600	0.036
20	30136	Removable 36 mm dia sheave	36	65	58	800	2000	0.168
Wire block with aluminium sheave								
21	31024	24 mm dia sheave, for 3 mm wire	42	25	11	140	350	0.019
	30036	36 mm dia sheave, for 4 mm wire	66	39	11	200	500	0.050
	30050	50 mm dia sheave, for 5 mm wire	75	50	12	320	800	0.084
	30070	70 mm dia sheave, for 7 mm wire	105	70	17	1200	2500	0.222
22	30071	70 mm dia sheave, for 7 mm wire	150	70	17	1200	1790	0.298
Sheave dia 45 mm - rope size 10 mm								
Most step blocks sheave dia 45 mm								
23	30045	Single with clevis pin	75	50	24	560	1000	0.076
24	30145	Swivel with clevis	105	50	24	560	1000	0.104
Land-yacht blocks (curved) sheave dia 50 mm								
25	31045	Single	85	50	24	320	800	0.104
26	31145	Single with becket	108	50	24	320	800	0.106



25



26

Deck accessories

N°	Part #	Description	Weight Kg
----	--------	-------------	-----------

Swivel base

1	30101	Mainsheet swivel base - ball bearing- rope size 12 mm	0.308
2	30103	Swivel cleat base - rope size 12 mm	0.160
3	30105	Swivel cleat base - rope size 12 mm	0.178

N°	Part #	For rope Ø / mm	Fastener spacing mm	Weight Kg
----	--------	-----------------	---------------------	-----------

Cam cleats

4	30006	8	26	0.017
	30012	12	38	0.044
	30016	16	52	0.068

Stand up springs

5	32530	Stand up spring without collar for sheaves dia 18 & 25 mm
	32540	Stand up spring with collar for sheaves dia 35 & 45 mm
	32550	Stand up spring with collar for sheaves dia 55 & 70 mm

N°	Part #	Description	For blocks	Clevis Ø mm	Ø Pin mm	Weight Kg
----	--------	-------------	------------	-------------	----------	-----------

Clevis adaptor

6	32570	Swivel, clevis adaptor	Sheave 35&45	8	5	0.024
	32571	Swivel, clevis adaptor	Sheave 55	10	6	0.023

Mast step adaptor

7	32580	Mast step adaptor for Part # 63117 & 73117 - Ø drilling: 5.2 mm	0.034
	32581	Mast step adaptor for Part # 64117 & 74117 - Ø drilling: 8.2 mm	0.042

N°	Part #	Height mm	Fastener spacing mm	For rope Ø mm	Weight Kg
----	--------	-----------	---------------------	---------------	-----------

Saddles stainless steel

8	30026	11	26	8	0.003
	30038	15	38	12	0.010
	30052	21	52	16	0.016

Saddles POM

9	30126	14,5	26	8	0.002
	30138	19	38	12	0.007
	30152	22,5	52	16	0.009

N°	Part #	Description	Ø Sheave mm	Thickness mm	Ø Pin mm	Ø rope mm
----	--------	-------------	-------------	--------------	----------	-----------

Plain bearing sheaves

10	60081	Sheave	18	8,5	6	4
	60082	Sheave	25	10,5	6	6
	60083	Sheave	35	11,5	10	8
	60084	Sheave	45	13	10	10
	60085	Sheave	55	15	10	12
	60086	Sheave	70	19	14	14
	60087	Sheave	80	22	17	18

Sheaves with captive balls

11	80083	Captive balls	35	11,5	10	8
	80084	Captive balls	45	13	10	10
	80085	Captive balls	55	15	10	12
	80086	Captive balls	70	19	14	14
	80088	Captive balls	32	15	10	10
	80089	Captive balls	42	19	14	18

Deck organizers: ball bearings sheaves (stacked)

N°	Part #	Sheaves	Ø Sheave mm	Ø Rope mm	Length mm	Width mm	Tickness mm	Fastener mm	Ø Pin mm	Weight Kg
12	81512	2	32	4 to 12	95	35	22	43	6	0.070
13	81513	3	32	4 to 12	140	35	22	43	6	0.106
14	81514	4	32	4 to 12	180	35	22	43	6	0.140
12	81522	2	42	8 to 16	125	45	28	57	8	0.156
13	81523	3	42	8 to 16	185	45	28	57	8	0.231
14	81524	4	42	8 to 16	240	45	28	57	8	0.305

For sport boats or dinghies, swivel bases enable the boat's fittings to be optimised. They are manufactured according to Wichard tradition of quality, and form part of the original equipment on many modern designs. Their dimensions and the adjustable orientation of the cam cleats, mean they can be installed on your boat without any modifications.





Safety

I TETHERS, RELEASE SPREADER BAR, GYB'EASY THE WICHARD BOOM BRAKE

Wichard designs cutting-edge technology products whose main function is to provide enhanced safety. They are robust, easy to use and will bring you satisfaction.



Boom brake Gyb'Easy



Gybing remains one of the most challenging operations on a sailing boat even for experienced sailors and can possibly generate injuries and material damage.

An efficient and safe solution: Gyb'Easy the Wichard boom brake.

CONCEPT

Thanks to the frictions of the specific line passing over the boom break, the boom is allowed to gybe smoothly. With Gyb'Easy, the gybe operations are safer, potential accidents reduced and without jerks.

SETTINGS OF GYB'EASY

The adjustment of Gyb'Easy is made thanks to the tension of the specialized line. 3 different positions exist for a perfect adaptation to the mainsail and wind conditions (see pictures).

The more the line passes over the openings, the more the friction is increased and hence the brake efficiency.

AN EASY INSTALLATION ON ALL KINDS OF BOATS

The installation only takes a few minutes: a shackle is attached onto one of the boom eye straps. In order to fit with all the deck configurations, two different fittings can be implemented. The boom brake can be installed either on modern boats or old gaffers.

Features:

- ▶ Can be used on mainsail areas below 40 sqm.
- ▶ Material: aluminium with anodisation.
- ▶ Weight: 0.600 kg.
- ▶ Part #: 7150 (delivered with rope and shackle).



Scan the QR code with our smart phone to download the Gyb'Easy movie.



Tethers



Benefits

- ▶ Large range of tethers
- ▶ Complies with the CE EN1095 standard
- ▶ Available with double action safety hooks (phosphorescent) or carabiner hooks
- ▶ Available with flat or elastic tethers
- ▶ Ensures safety during movement on deck
- ▶ Designed and made in France

N°	Part #	Description	Weight kg
Tether with double action safety hooks			
1	7005	Elastic harness tether from 1 to 2 m, with double action safety hooks.	0.398
2	7006	Elastic harness tether - 1 m fixed line, the other retracts from 2 to 1 m with three double action safety hooks.	0.582
3	7015	Harness tether, 2 meter long with two double action safety hooks.	0.392
4	7016	Harness tether, flat webbing (25mm), 2 meter long with one action safety hook.	0.210

Tethers with stainless steel carbine hooks			
5	7001	Elastic harness tether from 1 to 2 m, with two stainless steel carbine hooks.	0.418
6	7002	Elastic harness tether - 1 m fixed line, the other retracts from 2 to 1 m with three stainless steel carbine hooks.	0.582
7	7011	Harness tether (flat webbing), 2 meter long with two stainless steel carbine hooks.	0.392

Benefits

- ▶ Complies with the CE EN1095 standard
- ▶ Fitted with a quick opening snap shackle on the harness side
- ▶ With an overload indicator
- ▶ 2 models available
- ▶ Designed and made in France

N°	Part #	Description	Weight kg
Tethers with quick opening snap shackle			
8	7007	Elastic harness tether. Retracts from 2 to 1 meter, with overload indicator, one double action safety hook and one quick opening snap shackle.	0.348
9	7008	Elastic tether, 1 meter fixed line, the other retracts from 2 to 1 meter, with overload indicator, two double action safety hooks and one quick opening snap shackle.	0.480

Jacklines Lyf'Safe

LYF'SAFE, THE WICHARD JACKLINE

UNIVERSAL, READY-TO-USE, REFLECTIVE

Either sailing solo or fully crewed, operating on the foredeck in most conditions require extra attention and safety precautions.

Lyf'Safe by Wichard is a complete jackline kit allowing safer operations and offering added value to the crew.

ADAPTABLE AND UNIVERSAL

Lyf'Safe can be tailored to the length of the boat (using the adjuster) and can be fitted on to most deck fastenings (padeyes, pulpit/pushpit, cleats).

READY-TO-USE

Easy to install, Lyf'Safe does not require additional fastening components such as shackles.

REFLECTIVE

Thanks to its reflective stripe and photoluminescent casing, Lyf'Safe can be easily identified when sailing at night.

LOCKING SYSTEM OF THE WEBBING

The adjuster casing prevents any accidental adjustment or release of the webbing.

RESISTANT AND ANTI-CHAFFING

The anti-abrasion edges to the webbing prevent early wear and fraying, the soft elastomer casing isolates the deck, eliminating noise and vibrations.

AESTHETIC

Lyf'Safe is an elegant solution suiting most modern deck designs.

4 models available :

- ▶ Part # 7051 : length 8,5m.
- ▶ Part # 7052 : length 11m.
- ▶ Part # 7053 : length 14m.
- ▶ Part # 7054 : length 16m.

Components of Lyf'Safe :

- ▶ 2 reflective webbings.
- ▶ 2 forged adjusters.
- ▶ 2 photoluminescent casings.
- ▶ 1 set containing 8 screws.
- ▶ 1 installation manual.





Sailing accessories

I TILLER EXTENSIONS, WIND INDICATORS, KNIVES, OPENING PREFEEDER

Wichard designs products which aim at easing the operations and the life on board. They will quickly become essential tools.

The tiller extensions exist in different versions (telescopic or not) and use modern materials. The Wichard wind indicators, designed using wind tunnel technology, offer outstanding stability.

As for knives, every sailor knows just how essential they can be for a whole range of uses. Wichard knives integrate useful tools as a shackle opener and a spike tool.



Tiller extensions

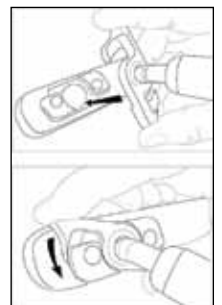
TILLER EXTENSIONS



Benefits

- ▶ Large range of tiller extensions
- ▶ With or without handle, telescopic or fixed models
- ▶ Telescopic models with ball-locking system
- ▶ Different joint systems available
- ▶ Ergonomic non-slip handles

N°	Part #	Description	Weight kg
Telescopic tiller extensions			
1	7550	Adjustable from 70 to 100 cm	0.682
1	7551	Adjustable from 80 to 120 cm	0.716
2	7555	Adjustable from 70 to 100 cm, stand up rubber articulation	0.708
2	7556	Adjustable from 80 to 120 cm, stand up rubber articulation	0.798
Tiller extensions			
3	7510	Length 70 cm - universal ball joint	0.310
3	7520	Length 95 cm - universal ball joint	0.406
Tiller extensions with handle			
4	7540	Non retractable - length 58 cm	0.378
4	7541	Non retractable - length 70 cm	0.406
Tiller extension			
5	7515	Non retractable - length 70 cm - removable universal joint	0.280
5	7525	Non retractable - length 95 cm - removable universal joint	0.330
Retaining clips			
6	7500	Retaining clips (tube dia. 20 mm)	0.015
7	7501	Retaining clips (tube dia. 30 mm)	0.012
Spare articulations			
8	7504	Spare articulation for parts # 7540, 7541	0,076
9	7505	Spare articulation for parts # 7550, 7555 with fastening part	0.146
9	7506	Spare articulation for parts # 7551, 7556 with fastening part	0.162
10	7507	Spare articulation for parts # 7550, 7551, 7555, 7556	0.168
11	7503	Spare articulation for parts # 7515, 7525, 67525, 67515	0.034
12	7502	Spare articulation for parts # 7510, 7520	0.080



Knives

The leading sailor's knife

Special stainless-steel blade is highly-resistant to corrosion

Smooth part of the blade: for cutting all types of materials

Hole makes opening the knife easier

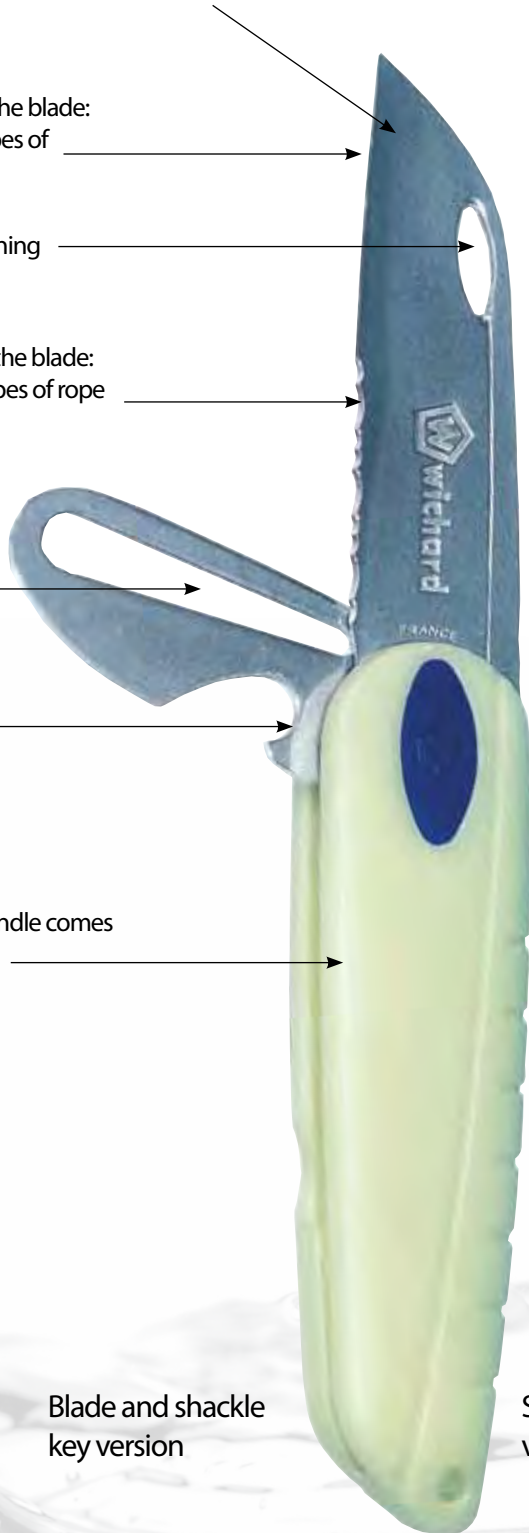
Serrated part of the blade: for cutting all types of rope

Stainless-steel shackle key

Bottle opener

Comfortable handle comes in 4 colours:

- ▶ Fluorescent
- ▶ Black
- ▶ Blue
- ▶ Green



Blade and shackle key version

Single blade version



Locking blade, shackle key and spike version



Practical advice

- ▶ Wichard knives require no particular maintenance, just rinse the product regularly with freshwater. Use Wichard Greenox occasionally to clean the blade.
- ▶ The 3-tool "Bosco" version comes with a spike and safety catch, perfect for ropework.
- ▶ Don't forget to protect your knife with our special sheath.

Benefits

- ▶ Essential tool on board
- ▶ Half-serrated blade forged in special stainless steel
- ▶ Several models available: single blade, blade + shackle key, bosun's knife, etc..
- ▶ Can cut any abrasive material (Kevlar etc.)
- ▶ Several colours available
- ▶ Designed and made in France

N°	Part #	Description	Weight kg
Forged handle			
1	10082	Forged stainless steel handle, blade and shackle key	0.150
2	10084	Forged stainless steel handle, blade, shackle key, cork-screw.	0.150
3	10083	Forged Titanium handle, nitrided blade, with shackle key	0.155
Colour handle			
4	10041	Green - Single blade	0.074
4	10042	Fluorescent - Single blade	0.074
4	10043	Black - Single blade	0.074
4	10046	Blue - Plain blade	0.078
4	10049	Orange - Fully serrated blade	0.074
5	10051	Green - Blade, shackle key and bottle opener	0.090
5	10052	Fluorescent - Blade, shackle key and bottle opener	0.090
5	10053	Black - Blade, shackle key and bottle opener	0.090
5	10056	Blue - Blade, shackle key and bottle opener	0.090
6	10055	Grey - Soft handle	0.092
7	10061	Green - Locking blade, shackle key and spike	0.132
7	10062	Fluorescent - Locking blade, shackle key and spike	0.132
7	10063	Black - Locking blade, shackle key and spike	0.132
7	10066	Bleu - Locking blade, shackle key and spike	0.132
8	10031	Green - «one hand» stainless steel knife with quick opening shackler and safety liner block on the blade	0.120
8	10032	Fluorescent	0.120
8	10033	Black	0.120
8	10036	Blue	0.120

Long knife with sheath			
9	10006	Fluorescent - Length 20 cm, blade 10 cm	0.094
9	10007	Fluorescent - Length 24 cm, blade 13 cm	0.164

Floating knife, fixed blade			
10	10009	Length 19 cm, blade 7 cm with sheath	0.096

Sheaths			
11	10022	Fabric sheath for folding knives	0.024
12	10023	Leather belt sheath for folding knives	0.044
13	10005	Rigger's leather sheath for 20 cm fixed blade knife and shackle key/marlin spike	0.026

WICHARD KNIFE CUSTOMIZATION SERVICE

Use Wichard knives to promote your image, secure the loyalty of your clients, or reward your colleagues. Offer available to professional customers only. See conditions in the price list. Contact us for more information.



Phosphorescent WIND INDICATORS

Wichard wind indicators, designed using wind tunnel technology, offer remarkable stability. Their glass fibre shafts can bend without breaking. The low-friction pivot ensures precision, sensitivity, and a long service life. These are real navigation instruments that can be mounted with ease on any type of mast, even utilising existing mounting brackets.

Wind indicators

1	7201	Phosphorescent wind indicator, length 38 cm	0.228
2	7202	Wind indicator, length 25 cm	0.090



Shackler and spike tool



N°	Part #	Description	Weight kg
Shackler and spike tool			
1	10303	Forged shackler with bottle opener	0.033
2	10304	Unique shackler / spike tool	0.109

Key rings



N°	Part #	Description	Weight kg
Key rings			
3	9301	Wichard lanyard	0.029
4	9304	Key ring with pin shackle # 1441	0.017
5	9305	Key ring with snap hook # 2480	0.029
6	9306	Key ring with snap shackle # 2470	0.029
7	9307	Key ring with block # 30019	0.019



Maintenance

| Greenox: biodegradable cleaner

For clean and shiny hardware

Greenox is a more than 90%* biodegradable cleaner which cleans the surface condition of marine hardware parts. Greenox removes the micro-scratches. It has to be used in case of regular maintenance.

Multi-use

Greenox can be applied to stainless steel hardware, aluminium, brass and also copper. It is perfectly suitable for stainless steel hardware (shackles, snap hooks etc.), reefing-furling systems, pullpits and pushpits and also knives.

Easy to use and efficient

Greenox is effortless and can be applied by scrubbing lightly with a wet cloth. Leave for 5-10 minutes and then rinse and wipe with a clean and soft cloth. Thanks to its paste and packaging format, it is easy to use but also avoids waste (at the opposite of products made of water).

- ▶ More than 90% biodegradable under 28 days (OCDE 303A test)
- ▶ Part #: 9602
- ▶ Vol: 100 ml (1 tube)



| Wichinox: cleaning and passivating



BIODEGRADABLE CLEANER



Benefits

- ▶ More than 90% biodegradable
- ▶ Cleans the surface condition and remove micro-scratches
- ▶ Can be applied to stainless steel, aluminium, brass and copper
- ▶ Suitable for stainless steel hardware, reefing-furling systems, knives, pullpits and pushpits etc.
- ▶ Efficient and easy to use
- ▶ Non-stick hydrophobic coating slows down the accumulation of dust
- ▶ Non-toxic product
- ▶ Perfect for regular maintenance or in case of light corrosion

*: The surfactants of the product are biodegradable at more than 90% under 28 days (test OCDE 303A).

CLEANING AND PASSIVATING



Benefits

- ▶ Contributes to restore the passive layer of stainless steel products
- ▶ Ensures a spotless appearance
- ▶ Extends product service life
- ▶ Neutral effect on plastics
- ▶ Easy to use
- ▶ To be used in case of important corrosion (pitting attack) and for occasional use
- ▶ Part #: 9601
- ▶ Vol: 150 ml

BLACK PRODUCTS

Wichard products are also much sought-after for industrial applications.

Faced with this increasing demand, Wichard is proud to present a range of forged stainless-steel products treated with a matt black finish.

These products are mostly used in applications where absolute discretion is required (shows, events, theatre, military.).

Mostly used as connectors, these products can be used in combination with a multitude of products. All Wichard products have been designed for hard continuous work in all conditions and are guaranteed to be reliable and defect-free and provide maximum safety for the user.



+ Main features of this process:

- Matt black finish
- Excellent mechanical resistance
- Does not alter the dimensions or mechanical features of the regular product
- Resistant to wear, UV rays and corrosion.



Technical information

CE MARKING


Some of our products can be used as lifting accessories and as such bear the CE marking (awarded under the auto-certification scheme in accordance with the Machines Directive 2006/42).

Each product displays the following information



- Working Load Limit (WLL)
- CE marking, product origin, manufacturer's logo
- Materials
- Manufacturing batch serial number



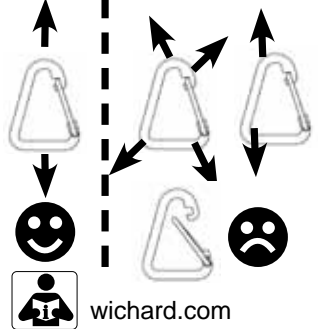
Reading guide for CE labels on Wichard products


Réf: 2345 
INOX STAINLESS STEEL
Made in France

**MOUSQUETON DELTA
DELTA HOOK**
Ø: 8 mm - 5/16 in.

 Industrie Industry	 Nautisme Boating
CMU - WLL (Charge max. utilisation - Working load limit) 240 Kg - 530 Lbs	CT - WL (Charge travail - Working load) 720 Kg - 1590 Lbs

Facteur sécurité: 5
Safety factor: 5
Test coef: 3

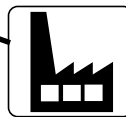


 wichard.com

Products marked and sold in shops come with a notice in the form of a label that indicates the working load limit (WLL) to be applied in an industrial situation (lifting, etc.) and the working load (WL) to be applied in nautical situations.



Working Load (WL): for nautical applications.



Working Load Limit (WLL): for industrial applications only.
The safety factor is 5 times the breaking load.
 $WLL = \text{Breaking load} / 5$

Technical information

WARRANTY

All Wichard products are warranted to be free of defects in materials or workmanship for five (5) years from the date of purchase by the original end-user. Excluded from this warranty are:

- > Any product which has been improperly fitted.
- > Any product which has been improperly used or used in any application for which it was not intended.
- > Any product which has been improperly maintained.
- > Any product modified without a written approval from Wichard.
- > Any damage being a consequence from alteration, from ultraviolet light exposure or from the normal wear of products.

The useful life of any products is determined by its utilisation and an appropriate factor of safety (see page 61). It must be distinctly assessed in each application. Thus no guarantee can be provided for product life, dynamic capacities or any other factor due to the variability in usage.

Wichard's liability is limited to the repair or replacement of the defective goods exclusive of any other repair. Responsibility and costs of handling, transportation and any custom duties and tariffs linked to the warranty claim are in any case borne by Wichard.

CORROSION IN MARINE ENVIRONMENT

All Wichard products are passivated. Corrosion attacks stainless steel and is always visible in the form of black coloured roughness. Although this is dangerous, it is rarely seen in current use, except in cases where martensitic (HR) steel is in total, prolonged immersion. What many people erroneously call corrosion, is really rust, or oxidation. This is due to outside causes. In the marine environment, stainless steel is subject to considerable aggressive forces and is not totally corrosion free. Re-passivation can be accomplished with a passivator such as Wichinox (see page 55) . All stainless steel products demand a minimum of upkeep.

STAINLESS STEEL

Wichard uses top-quality grades of stainless steel in its products (see chart). The first type is a low carbon austenitic steel (316L), which offers good mechanical characteristics. They are non-magnetic steels and most of Wichard products are manufactured in this grade. The second (17.4PH) is martensitic steel (magnetic), which is referred to as high-resistance steel (HR).

<i>Type</i>	<i>Austenitic</i>	<i>Martensitic</i>
Common name	18.12 Mo	17.4 PH
European Standard	X2CrNiMo17-12-2	X5CrNiCuNb 16-4
US AISI Standard	316 L	630
Composition Carbon	< 0,03 %	< 0,07 %
Chromium	18 %	16,5 %
Nickel	12 %	4 %
Molybdenum	3 %	
Copper		4 %

WHY A WICHARD SHACKLE?

A Wichard shackle is manufactured on a very old principal, forging. Wichard has perfected and machined this process down to the smallest detail.

RELIABILITY AND HIGH QUALITY

After the raw metal bars are checked on chemical alloy and quality, the metal is heated to the right temperature to be forged. Then the metal is pressed in its new shape with great force by a hydraulic hammer. Due to this process the metal obtains an organized structure without any weakness. Because of this structure, called fibers, the metal object is not only very strong but also has an "elastic" property. Casted metal objects of the same design are less strong because the structure in the metal is not the same everywhere in the object. Next to this there is the chance that small air bubbles are enclosed during the casting. This causes a capital weakness in the casted object. Even objects machined from a block of metal can have weaknesses. Where the metal is machined into a curve the structure in the metal is broken and becomes a weak point in the object. When the object is overloaded it will break at this point.

PERFORMANCE AND SECURITY

Due to the technique of forging every object of the same design and shape has the same properties with a small tolerance of deviation. By controlling all important factors Wichard can guarantee an accurate breaking load and working load for each individual object. Wichard advises to respect carefully the Working Load (WL) indicated for each of its products. If a Wichard product is overloaded between the safe working load and breaking load the product will deform due to its "elastic" property. This gives the user an extra safety margin and shows when the product is overloaded. Deformed parts have to be replaced immediately preferably by a part in a larger size.

DEFINITIONS

Working Load (WL) indicates the value of static load at which the product will still function without excessive friction or wear or permanent deformation of components.

Breaking Load (BL) indicates the value of static load for which a major failure of one or some structural components or the complete destruction of the product can be expected when new. Plastic components may split, rivets may give way, shackles or any other connection parts break and other metallic components may fracture.

UNITS OF LOAD

Our resistance values are shown in kilogramme-force (symbol: kgf or more usually kg), which is the force due to gravity sustained by a mass of 1 kg situated at the latitude of Paris. This unit of force is obsolete, and is not part of the SI international system of units, which links concepts of mass and weight. The unit of force used in the SI system is the Newton (N).

To pass from the kilogramme-force to the Newton its value must be multiplied by g , the acceleration of gravity, which is 9.80665 m/sec^2 at the latitude of Paris, or 9.80665 N ($\text{N} = \text{kg} \times \text{m} \times \text{s}^{-2}$). In the fields where the kgf appears we should now use the decanewton (or dekanewton), daN: $1 \text{ kgf} = 9.80665 \text{ N} = 0.980665 \text{ daN}$ ($1 \text{ daN} = 1.019716 \text{ kgf}$).

Our test equipment measures loads in daN, but bowing to custom and for reasons of simplicity and safety, we still give values in kgs in our brochures and on our products. Our measured values have simply been converted into kgs.

FACTOR OF SAFETY

Before choosing or specifying a particular product, an appropriate factor of safety should be applied to Breaking Loads (BL) to suit each application.

For many industrial and safety applications, and for some yachting application, a factor of safety greater than two (2) should be used or may be required by law or other regulations. It is the customer's responsibility to ensure that an appropriate factor of safety is used, and it should take into account safety implications, service life, fatigue (as may be caused by wave action, wind stress or repetitive cyclical loading), type of load, exposure to ultraviolet light, corrosion and stress corrosion (such as in high humidity or high chlorine environment). Even more attention is required when specifying blocks as other factors have to be taken into account such as rotary speed, deflection angle of the rope or the number of wire of the tackle (see page 31 of the present document). Note that a "Safe Working Load" is not specified as this is dependent on the factor of safety, which must be determined by the user relative to each application.

IN ANY CASE, NEVER USE THE PRODUCTS OVER THE WORKING LOAD !

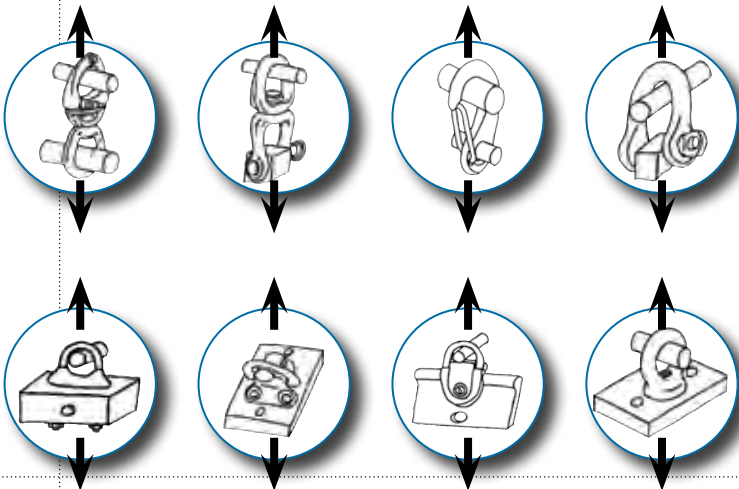
USEFUL LIFE

The useful life of any products is determined by the above factors and must be assessed in each application. Thus no guarantee can be provided for product life, dynamic capacities or any other factor due to the variability in usage. In some jurisdictions government regulations require the replacement of rigging components within certain periods of time, usually after three or five years. You must ascertain whether any such regulations affect you and take appropriate steps if you are affected.

MAINTENANCE AND INSPECTION

All your marine hardware, blocks and equipments must receive regular inspections to prevent any deformation, wear, cracks or corrosion. Even if your products have had little use, ultraviolet light exposure, wave action, humid or saline environment may cause damage that could affect quality or strength of the equipment. If, after inspection, you are in doubt about the integrity of one of some parts, it is the customer's responsibility to replace the defective components or product to ensure his own safety.

While every precaution is taken in the product design and manufacturing processes of our products to minimize the effects of corrosion or stress corrosion, appropriate preventive or corrective treatments must be carried out to the products after installation.





Arthur Léopold-Léger - Mini 6.50 - Mini Transat 2013



Adrien Hardy - Figaro Agir Recouvrement



Armel Tripon & Fabrice Amédéo -
Class 40 Géodis



Yvan Bourgnon & Vincent Beauvarlet -
Circumnavigation in a racing catamaran



Julien Pulvé - Mini 6.50 - Mini Transat 2013

SPORTS PARTNERS



Figaro
Class 40
Mini 6.50
Maxi trimaran
Olympic sailing
Extreme sports

MAJOR RESULTS OF OUR TEAMS IN 2013:

- North Atlantic crossing record – IDEC trimaran (80') – skipper Francis Joyon
- Solitaire du Figaro: Figaro Agir Recouvrement – skipper Adrien Hardy – leg winner
- Class 40 circuit: Géodis – skipper Armel Tripon – 4th in the Normandy Channel Race
- 470 World Championships – Pierre LeBoucher and Nicolas Le Berre (crew event) - 2nd place
- Attempt to reach the North Pole in a catamaran: La voile du Pôle – Sébastien Roubinet

and also: Highline world record in the Gorges of the Tarn: 150 m long and 70 m high.

COMING UP IN 2013 – 2014

- Mini transat with Julien Pulvé and Arthur Léopold-Léger
- Circumnavigation in a racing catamaran: Yvan Bourgnon and Vincent Beauvarlet
- Transat Jacques Vabre: Class 40 Géodis
- Maxi trimaran record attempts: IDEC - Francis Joyon

FOLLOW ALL THE NEWS ABOUT WICHARD AND ITS TEAMS:



Join us on Facebook and become a Fan!
<https://www.facebook.com/wichardsailing>



Refer to the distributor list on our website: www.wichard.com

Country	Company	Zip code	Town	Country code	Phone #	E-mail
Antigua	Antigua Slipway Ltd		St John	1	26 84 601 056	antslipway@candw.ag
Austria	Alltechnik	2362	Biedermannsdorf	43	2 23 664 676	office@allroundmarin.com
Austria	Robert Lindemann KG	20537	Hamburg	49	40 211 197-0	info@lindemann-kg.de
Belgium	Wichard Benelux	3280 HA	Numansdorp- NL	31	6 53 668862	sbarzilay@wichard.com
Belgium	Landtmeters & Co	2000	Antwerpen	32	32 333 131	info@landtmeters.com
Belgium	West Diep Yachting Center	8620	Nieuwpoort	32	58 234 061	info@westdiep.com
Belgium	Wittevrongel Sails & Rigging	8370	Blankenberge	32	50 411 863	info@wittevrongel.be
Brazil	Bruschetta Supply			55	21 9400 3660	contato@bruschetta-supply.com.br
Canada	WPG Canada	JOB 3G0	Stoke (Quebec)	1	819 878 30 18	wpg@abacom.com
Canary Islands	Nordest	38370	La Matanza Tenerife	34	9 22 577 322	nordest@nordest-canarias.com
China	Sunrise Marineware Ltd		Shenzhen		755 866 50 101	sales@sunrisemw.com
Croatia	Aspar - Rigging	51 000	Rijeka	385	51 674 031	aspar-rigging@ri.t-com.hr
Denmark	Columbus Marine	2690	Karlsunde	45	46 19 11 66	columbus@columbus-marine.dk
Emirats Arabes Unis	Dubboats	53793	Dubai	971	43 994 554	c.vanek@dubboats.com
Finland	Oy Maritim AB	211	Helsinki	358	20 76 51 81	maritim@maritim.fi
Germany	Robert Lindemann KG	20537	Hambourg	49	40 211 197-0	info@lindemann-kg.de
Gibraltar	H. Sheppard & Co	PO box 899	Waterport	350	77183 / 75148	info@sheppard.gi
Greece	Tecrep Marine	18536	Piraeus	30	14 521 647	sales@tecrepmarine.gr
Greece	Theodosiadis Kiriakkos	18545	Piraeus	30	21 04 205 890	info@theodosiadis.gr
Greece	Nautilus	17455	Alimos / Athènes	30	21 09 854 238	info@nautilus.gr
Hong Kong	Storm Force Marine Ltd		Hong Kong	852	2866-0114	sales@stormforcemarine.com
Hungary	Marina Yacht Sport Kft	1078	Budapest	361	3 228 655	bolt@marina.hu
Italy	C-MARINE S.r.l.	19031	Bocca di Magra - SP	39	0187 67 08 28	info@cmarine.it
Japan	Marine Service Kojima	238-0225	Kanagawa	81	4 57 903 581	info@mskojima.co.jp
Malta	Gauci Borda & Co Ltd	GZR03	Gzira	356	2131 3758/3748	info@gauciborda.com
Netherlands	Wichard Benelux	3280 HA	Numansdorp	31	71 5 898 898	sbarzilay@wichard.com
Netherlands	On Deck BV	2156 MX	Weteringbrug	31	71 331 33 66	allhands@on-deck.nl
New Caledonia	Marine Corail	98845	Nouméa	687	27 58 48	info@marine-corail.nc
New Caledonia	Boniface ACMA	98863	Nouméa	687	28 28 10	vente@acma.nc
New Zealand	Kiwi Yachting	90114	Auckland	64	9 36 00 30 0	sales@kiwiyachting.co.nz
Norway	Hovdan-Poly A/S	614	Oslo	47	23 14 12 60	post@hovdan.no
Peru	Globe Sailing S.A.C		Lima	51	954 146 861	lima@globe-sailing.com
Poland	Mazuria	11-214	Galiny 2	48	8 97 612 165	mazuria@ol.onet.pl
Poland	Majer	01 - 541	Varsovie	48	(0) 22 869 93 60	sails@majer.com.pl
Portugal	Luiz Godinho	1400-287	Lisbonne	351	2 13 017 753	luizgodinho@iol.pt
Portugal	Sailingfoz	4150-452	Porto	351	22 617 99 36	sailingfoz@sailingfoz.pt
Russia	Fordewind-Regatta Ltd	197110	St Petersburg	7	812 320 1853	info@fordewind.spb.ru
Singapore	Intermarine Supply Co	639078	Jurong	65	68 633 966	ropes@intermarine.com.sg
South Africa	Manex & Power Marine	7420	Paarden Eiland	27	021-511 7292	manex@manex.co.za
Spain	Flint Suministros S.L.	8038	Barcelona	34	9 32 895 202	info@flint.es
Sweden	Liros Skandinavia AB	427 23	Billdall	46	31 91 52 00	info@lirosropes.se
Switzerland	Bucher & Walt SA	2072	St Blaise	41	3 27 559 500	info@bucher-walt.ch
Tahiti French Polynesia	Tahiti Sport/Nauti Sport	98713	Papeete	689	50 59 59	tahiti.sport@tahiti-sport.pf
Thailand	Sail in Siam Co Ltd	20250	Chonburi	66	818 375 507	info@sailinsiam.com
Turkey	Marintek	34700	Istanbul	90	216 317 1010	info@marintek.com.tr
U.K	Pro-Boat Ltd	CM0 8TE	Burnham-On-Crouch	44	(0) 1621 78 54 55	sales@proboat.co.uk

Wichard France

Head office, Production, Logistics
 Wichard S.A.S – ZI de Felet – CS 50085
 63307 THIERS CEDEX FRANCE
 Tel. + 33 (0) 4 73 51 65 00
 Fax +33 (0) 4 73 80 62 81
marine@wichard.com

Hotline, Technical Support, After Sales

Wichard S.A.S - Pornichet
 Z.A Pornichet Atlantique - 16 av du Gulf Stream
 44380 Pornichet FRANCE
 Tel. +33 (0) 2 51 76 00 35
 Fax +33 (0) 2 40 01 40 43
hotline@wichard.com

Wichard North America

Wichard Inc.
 3901 Pine Grove Circle
 Charlotte NC 28206 - USA
 Tel: + 1 (401) 683-5055
 Fax: + 1 (802) 655-4689
info@wichard-usa.com

Wichard Pacific Pty Ltd

PO Box 104 St Peters
 NSW 2044 AUSTRALIA
 Free Call: 1800 639 767
 Tel. + 61 2 9516 0677
 Fax. + 61 2 9516 0688
info@wichard.com.au